

FEATURES

- 1/8" mini jack
- 2 Pole jack plug for mono applications
- Nickel plated contact
- Moulded strain relief
- Easy to terminate

RS PRO 3.5 mm Cable Mount Stereo Jack Plug

RS Stock No.:392-643



RS Professionally Approved Products bring to you professional quality parts across all product categories. Our product range has been tested by engineers and provides a comparable quality to the leading brands without paying a premium price.

Product Description

From RS PRO, this 3 pole stereo jack plug offers an economic and reliable solution to various audio applications. The phono connector is easy to terminate, and has a plastic cap for insulation. It also features a moulded cable sleeve to protect against potential damage caused by tugging and pulling of the cable. The unique hexagonal shape of the jack connector casing means it is easier to grip, which is ideal for plugging and unplugging in difficult to access areas. This jack plug has solder tab termination, and a nickel plated contact for a cost-effective phono connection solution.

Stock No. [392-649](#) is a stereo screened jack plug

Stock No. [392-643](#) is a stereo insulated jack plug

General Specifications

Type	Stereo
Gender	Male
Current Rating	2A
No of Poles/Way	3 WAY
Mounting Type	Cable Mount
Contact Plating	Nickel
Colour	Black
Contact Material	Brass
Application	Headphones, earphones and headsets, Mobile phones and tablet devices, MP3 Players, Hi-fi systems, Digital video cameras

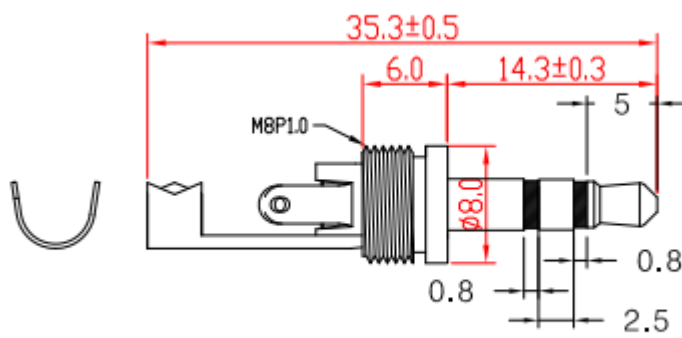
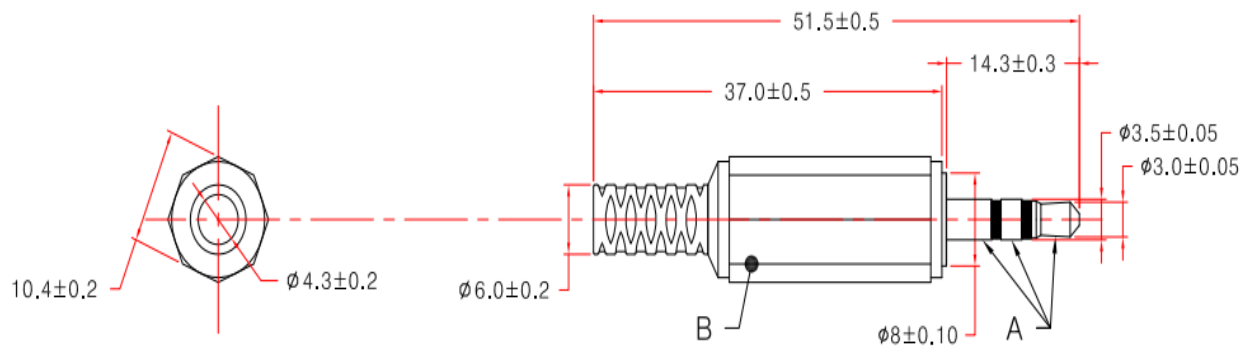
Mechanical Specifications

Size	3.5 mm
Body Orientation	Straight
Termination Method	Solder
Housing Material	PE

Approvals

Compliance/Certifications	2011/65/EU and 2015/863
----------------------------------	-------------------------





3.5SP BODY