

SITOR FUSE-LINK 63A,AC 1000V (DIN 43620,SIZE 0)



Similar to image

Technical data:

| | | |
|---|----|-------------|
| Current / for AC / rated value | A | 63 |
| Size of the fallback-system / acc. to DIN EN 60269-1 | | NH0 |
| Supply voltage • for AC / rated value | V | 1,000 |
| Switching capacity current • in accordance with IEC 60947-2 / rated value | kA | 71 |
| Design of an identification indicator | | others |
| Ambient temperature | °C | -20 ... +50 |
| Varying load factor (WL) | | 0.9 |

Certificates/approvals:

General Product Approval

Declaration of Conformity



CQC

[ROSTEST](#)



UL

[Manufacturer](#)

Further information:

Information- and Downloadcenter (Catalogs, Brochures,...)

<http://www.siemens.com/lowvoltage/catalogs>

Industry Mall (Online ordering system)

<http://www.siemens.com/lowvoltage/mall>

Service&Support (Manuals, Certificates, Characteristics, FAQs,...)

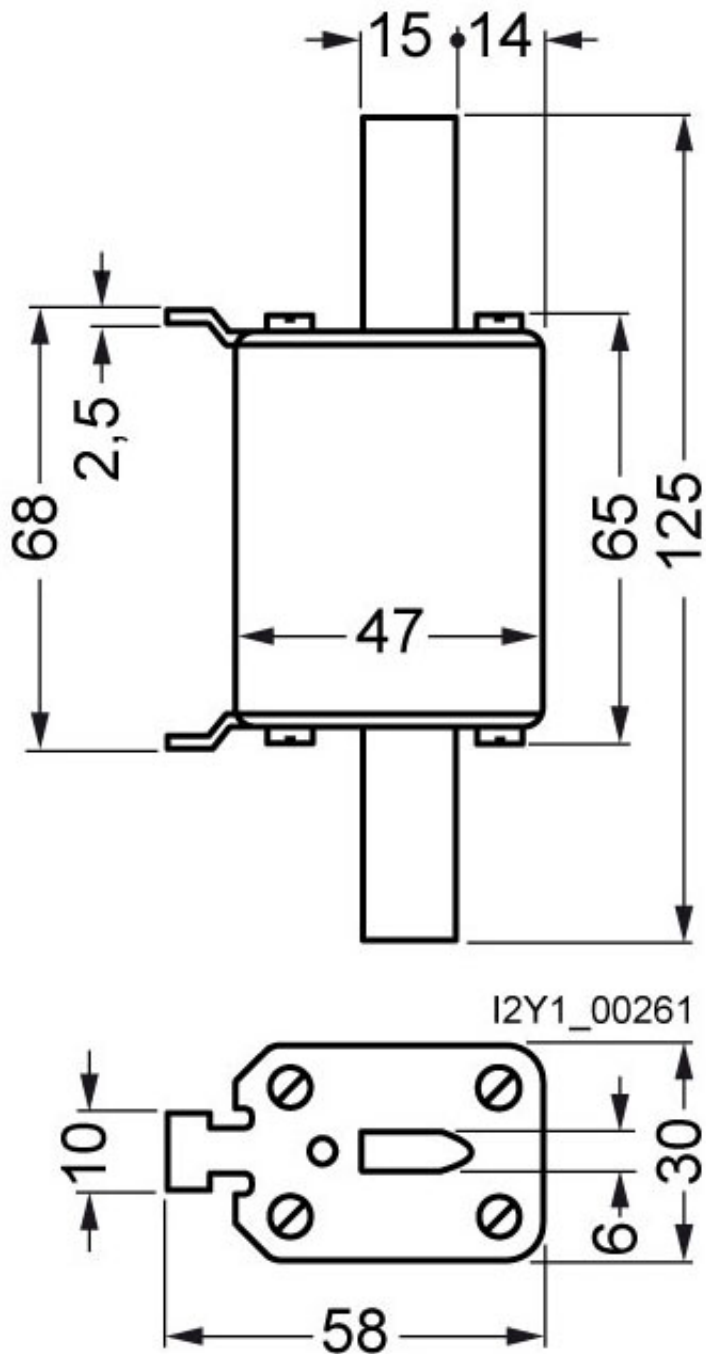
<http://support.automation.siemens.com/WW/view/en/3NE4118/all>

Image database (product images, 2D dimension drawings, 3D models, device circuit diagrams, ...)

http://www.automation.siemens.com/bilddb/cax_en.aspx?mlfb=3NE4118

CAX-Online-Generator

<http://www.siemens.com/cax>



last change:

Mar 13, 2012