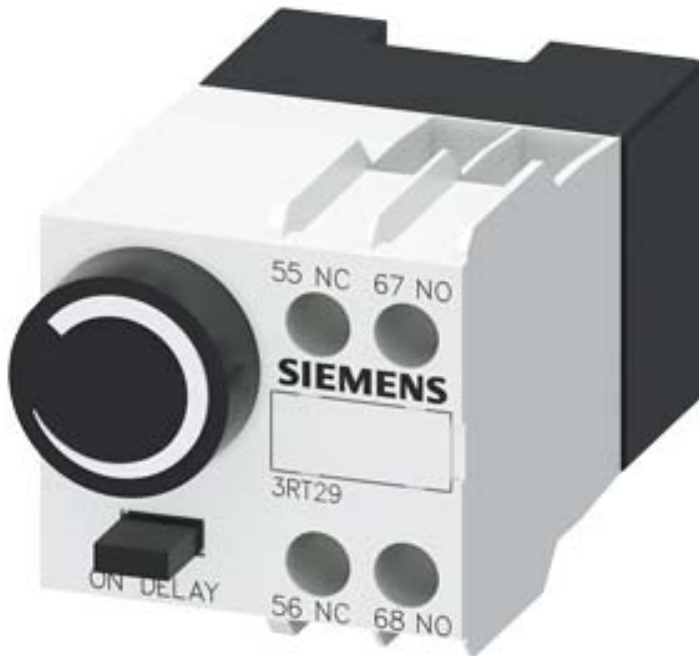


Pneumatic timing relay block ON delay 0.1 ... 30 s 1 NO
+ 1 NC, for motor contactors size S0



General technical data		
Product brand name		SIRIUS
Product designation		pneumatic delay block
Design of the product		slow-operating
Size of contactor		S0
Ambient temperature		
• during storage	°C	-50 ... +80
• during operation	°C	-25 ... +60
Protection class IP on the front		IP20
Mechanical service life (switching cycles) typical		5 000 000
Electrical endurance (switching cycles) at AC-15 at 230 V typical		1 000 000
Mechanical service life (switching cycles)		
• with 3RT2.2 contactor		5 000 000
Adjustable pickup delay time	s	30 ... 0.1
Insulation voltage with degree of pollution 3 rated value	V	690
Relative accuracy of the operating delay time/backslide delay time	%	10

Auxiliary circuit

Operating current

• of auxiliary contacts		
— at AC-12 maximum	A	10
— at AC-14		
— at 230 V	A	6
— at 400 V	A	4
— at 500 V	A	2.5
— at 690 V	A	1.5
— at AC-15		
— at 230 V	A	6
— at 400 V	A	4
— at DC-13		
— at 24 V	A	4
— at 48 V	A	2
— at 110 V	A	0.7
— at 220 V	A	0.3
— at 440 V	A	0.1
• at AC-15		
— at 500 V rated value	A	2.5
— at 690 V rated value	A	1.5

Short-circuit protection

Design of the fuse link for short-circuit protection of the auxiliary switch required

Fuse gG 10 A with short-circuit current $I_k = 1 \text{ kA}$ according to IEC 60947-5-1

Installation/ mounting/ dimensions

Mounting type		clip-on
Width	mm	45
Height	mm	44.6
Depth	mm	83.5
Mounting position		any

Connections/Terminals

Type of electrical connection for auxiliary and control current circuit

screw-type terminals

Type of connectable conductor cross-sections

• for auxiliary contacts		
— solid		2x (0.5 ... 2.5 mm ²), 2x (2.5 ... 4 mm ²)
— finely stranded		
— with core end processing		2x (0.5 ... 2.5 mm ²)
• at AWG conductors for auxiliary contacts		2x (22 ... 12)

Certificates/approvals

Certificate of suitability CE / UL / CSA / CCC

General Product Approval EMC Declaration of Conformity



CCC



UL



RCM



EG-Konf.

[Miscellaneous](#)

Test Certificates Shipping Approval other

[Special Test Certificate](#)



BUREAU VERITAS



PRS



RINA



RMRS

[Confirmation](#)

other Railway



VDE

[Vibration and Shock](#)

Safety related data

Protection against electrical shock finger-safe

Further information

Information- and Downloadcenter (Catalogs, Brochures,...)

<http://www.siemens.com/industrial-controls/catalogs>

Industry Mall (Online ordering system)

<https://mall.industry.siemens.com/mall/en/en/Catalog/product?mlfb=3RT2926-2PA01>

Cax online generator

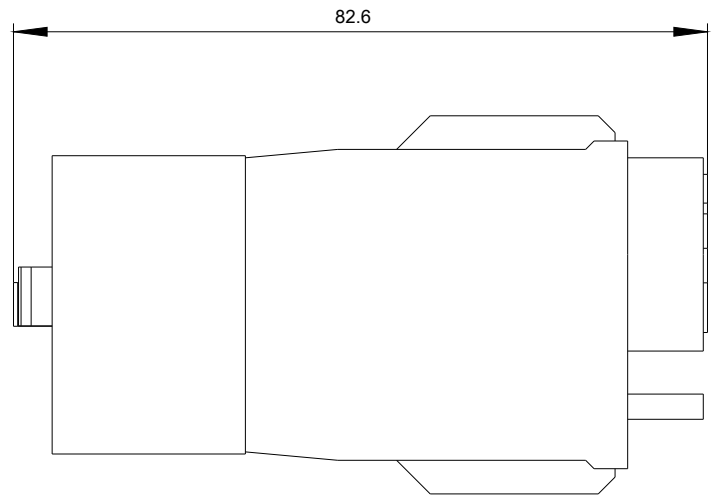
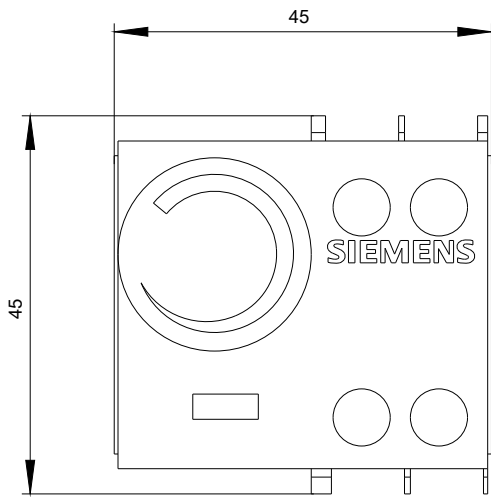
<http://support.automation.siemens.com/WW/CAXorder/default.aspx?lang=en&mlfb=3RT2926-2PA01>

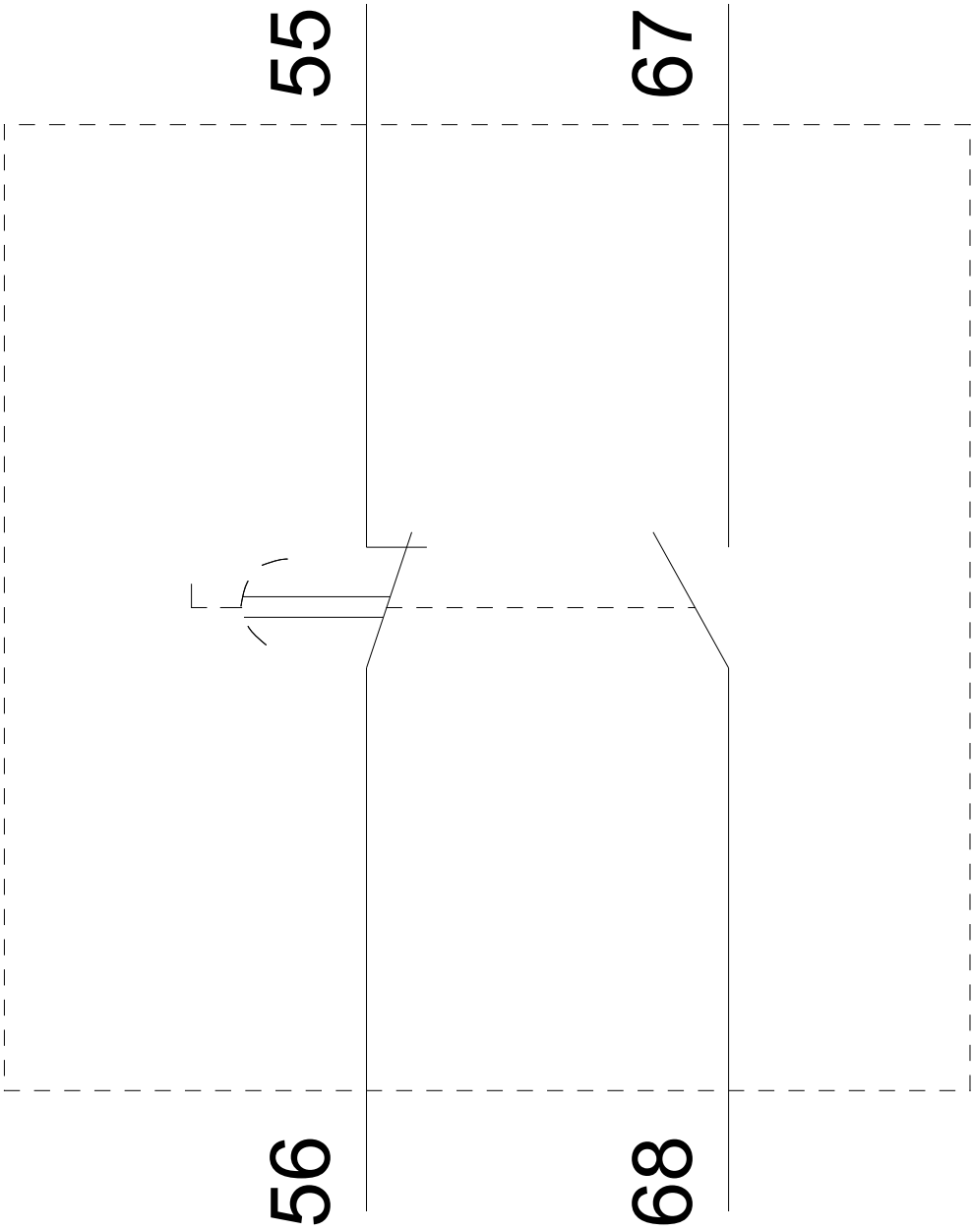
Service&Support (Manuals, Certificates, Characteristics, FAQs,...)

<https://support.industry.siemens.com/cs/ww/en/ps/3RT2926-2PA01>

Image database (product images, 2D dimension drawings, 3D models, device circuit diagrams, EPLAN macros, ...)

http://www.automation.siemens.com/bilddb/cax_de.aspx?mlfb=3RT2926-2PA01&lang=en





last modified:

07/25/2019