

# VECO VANSONIC ENTERPRISE CO., LTD.

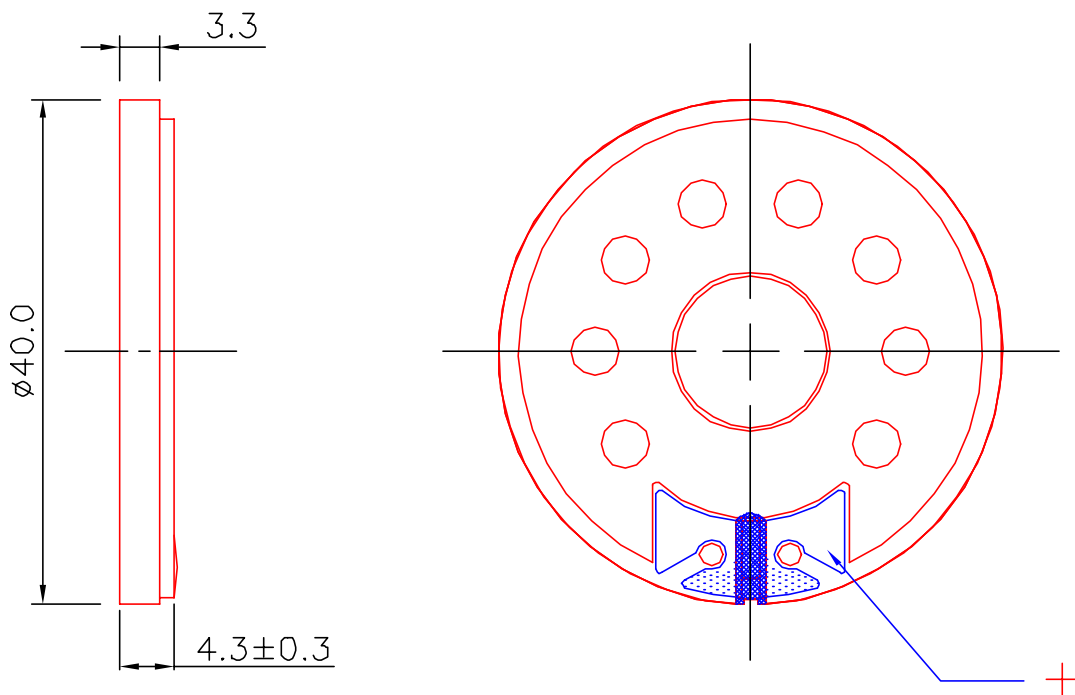
8F., No. 7, Lane 16, Sec. 2, Szechwan Road, Panchiao, Taipei Hsien, TAIWAN.

TEL: +886-2-29626335

FAX: +886-2-29625220

E-MAIL: vansonic@ms4.hinet.net

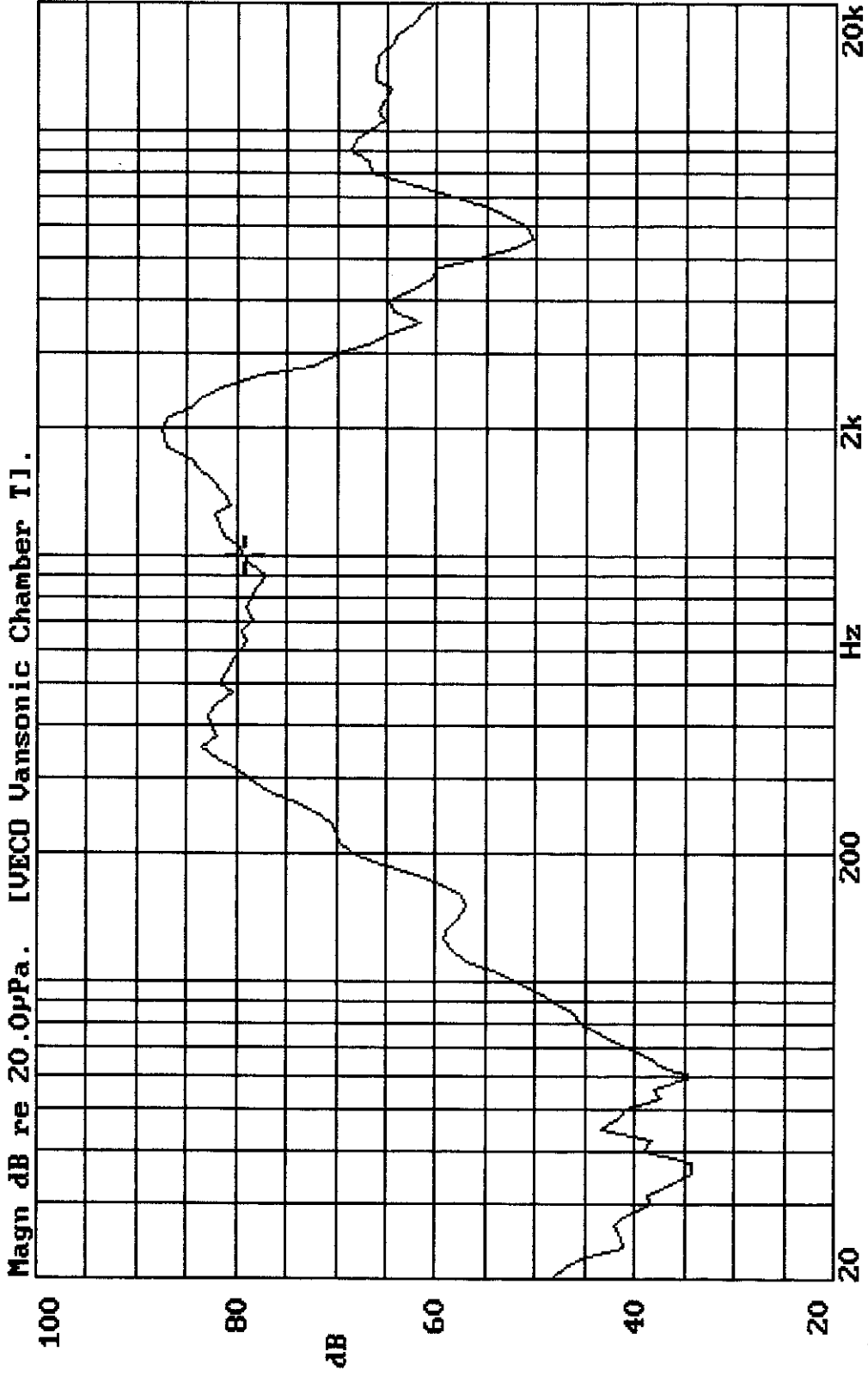
1.	<b>MODEL:</b>	<b>40CS08GS</b> -M50NT(Black Mylar)-50ND(Clear Mylar)					
2.	Dimension	Outer Diameter	<b>40</b>	mm.	Baffle Opening	<b>37</b>	mm.
		Height	Refer to Drawing .		Weight	<b>3.8</b>	Grams.
3.	Magnet	Materials	<b>Rare Earth</b> .		Size	$\phi$ <b>9.5x1.5</b> mm.	
4.	Nominal Impedance	<b>8</b>	$\pm$	<b>15</b>	%	At	<b>1000</b> Hz.
5.	Power Rating	Normal	<b>100</b>	mW.	Maximum	<b>200</b>	mW.
6.	Lowest Resonant Frequency	<b>390</b>	$\pm$	<b>20</b>		%	Hz.
7.	Output Sound Pressure Level (S.P.L.)	<b>80</b>	$\pm$	<b>3</b>	db / 0.1 Watt .	0.5 Meter.	
		Average at		<b>600, 800, 1000, 1200</b>	Hz.		
8.	Frequency Range	<b>200</b>	~	<b>3000</b>		Hz.	Average SPL - 10 db.
9.	Distortion	<b>5</b>	%	Maximum At	<b>1000</b>	Hz.	<b>100</b> mW.
10.	Abnormal Sound Test	Must Be Normal Test By <b>0.9</b> Volts. Sine Wave.					
11.	Load Test	White Noise With Weighted Filter <b>0.9</b> Volts.(RMS) <b>24</b> Hrs.					
12.	Polarity	Diaphragm shall move Forward when Apply a Positive DC.					
		Current to the "+" or "Marked" Terminal.					



Unit : mm

Housing Material : ABS

40CS08GS-50ND Vol:0.894V(0.1W) Dis:0.5M VANSONIC  
X:1.0000kHz \*Y:79.30dB ZA:1.0000 SSR Fund.



28-JUN-1999 15:49:39

Mode: SSR

