

Features

- Red illuminated rocker switch
- SPST switch configuration
- Nylon frame construction to UL 94V-2
- Dimensions of 21 x 17.8 x 15mm
- Secure snap-in panel clips at top and bottom of the housing
- Panel mount
- Silver plated Brass terminals
- 4.8 x 0.8 mm quick connect terminals
- 125 V (10A)/ 240 V ac (6A) mains rated
- Operating temperature range - 20° C to 85° C
- 19.2 x 13.00 mm panel cut out

RS PRO Illuminated Red SPST Rocker Switch

RS Stock No.: 419-782



RS PRO Professionally Approved Products bring to you professional quality parts across all product categories. Our product range has been tested by engineers and provides a comparable quality to the leading brands without paying a premium price.

Product Description

The RS PRO Illuminated Red SPST Rocker Switch is a robust and reliable illuminated latching rocker switch with a Single Pole Single Throw (SPST) configuration designed for an On-Off action. Constructed with a flame retardant and impact resistant Nylon 66 case with a tough Polycarbonate button for a rocker switch fit for industrial and commercial environments.

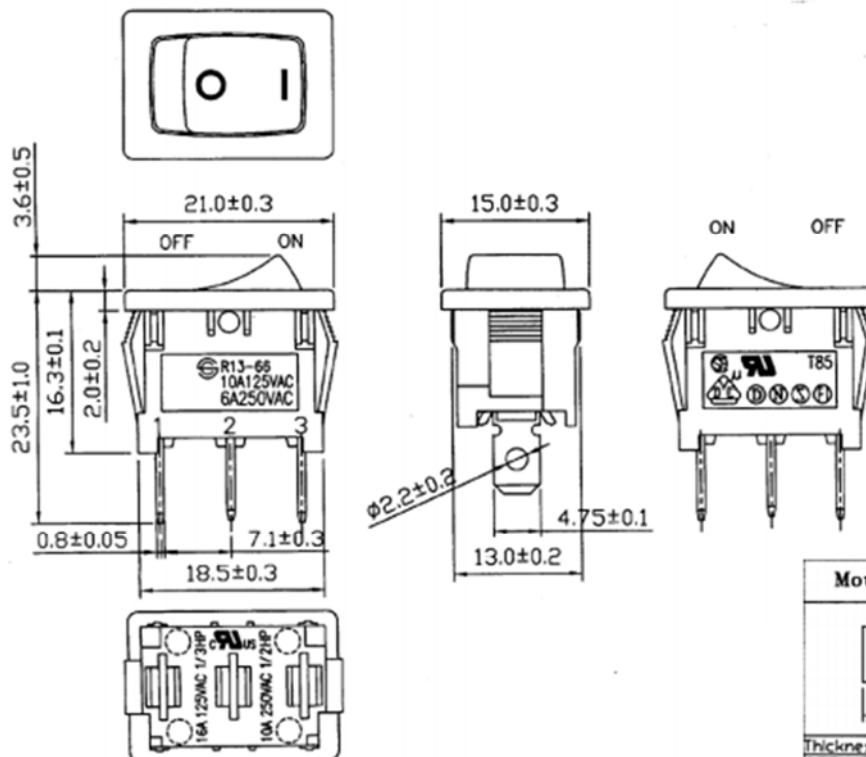
General Specifications

Rating	125V 10A / 250V 6A (AC)
Contact Resistance	50mΩ (Max.)
Insulation Resistance	DC 500V 100mΩ (Min.)
Dielectric Strength	AC 1500V / Minute
Operating Temperature	-20 ~ +85 °C
Circuit	3P SPST On-off

Approvals

Standards Met	VDE, ENEC and UL
---------------	------------------

Dimensions: (mm)



Material:
 Frame: Nylon# 66, Black
 Actuator: PC, Red
 Printed: None

Mounting Hole		Circuit Diagram	
Thickness	X	Y	
0.75-1.25	19.2-0.1	13.2+0.1	
1.25-2	19.4-0.1	13.2+0.1	
2-3	19.8-0.1	13.2+0.1	