

FEATURES

- Durable Reinforced nylon (15% glass filled PA6)
- Moulded 6.5 mm diameter threaded bore
- M6 hexagon bolts inserted from above for easy installation

RS PRO Matte Black Plastic Drawer Handle, 140mm

RS Stock No.: 456-490



RS Professionally Approved Products bring to you professional quality parts across all product categories. Our product range has been tested by engineers and provides a comparable quality to the leading brands without paying a premium price.

Product Description

From RS Pro a pair of high-quality nylon drawer handles also known as 'pull handles' or 'bridge handles'. These drawer handles are made from robust matte black thermoplastic (reinforced glass filled nylon). The handles feature a moulded, threaded bore with a 6.5 mm diameter. M6 hexagonal bolts are inserted from above into the threaded bore to provide a secure fitting to the drawer or door. The pre-threaded bores also make these drawer handles simple to install

General Specifications

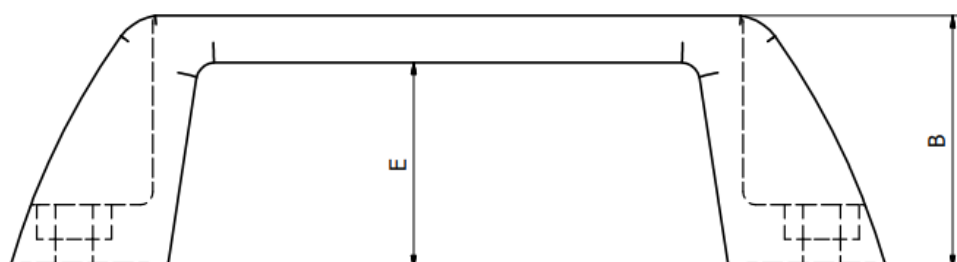
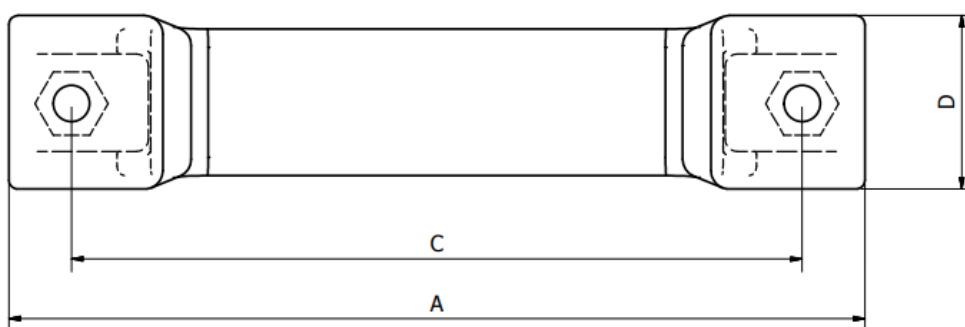
Material	Plastic
Finish	Matte
Colour	Black
Application	Drawer handles can be used on both cabinet draws and cupboard doors

Mechanical Specifications

Length	140mm
Height	40 mm
Width	28mm
Fixing Centres	120mm
Thread Type	6.5 mm / M6

Approvals

Compliance/Certifications	2011/65/EU and 2015/863
----------------------------------	-------------------------



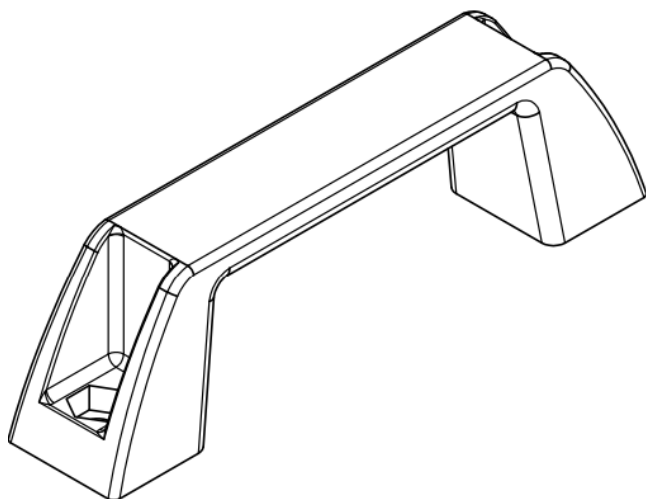


TABLE						
RS Part No	A	B	C	D	E	Bore Size
456490	140	40	120	28	33	6.5