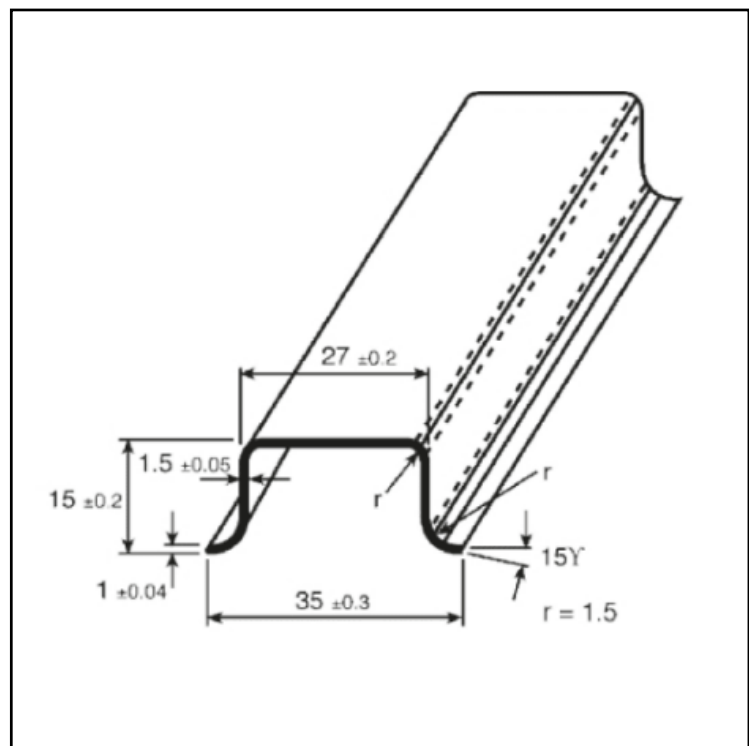


FEATURES

- Industry standard symmetrical rail
- Zinc-plated and clear passivated steel
- Slotted and un-slotted variations
- 0.5m, 1m, and 2m lengths
- Conforms to EN5022 and DIN 46277-3

RS PRO, Unslotted Din Rail, 1000mm x 35mm x 15mm

RS Stock No.: 467-412



RS Professionally Approved Products bring to you professional quality parts across all product categories. Our product range has been tested by engineers and provides a comparable quality to the leading brands without paying a premium price.

Product Description

From the trusted RS PRO brand, a selection of robust TS-35 deep DIN rails used for mounting various electrical and industrial equipment. The TS-35 rail or Top Hat as it is also known is manufactured from cold rolled steel which is then zinc coated and clear passivated. This provides a simple solution for general applications due to its strength and corrosion proof properties. Available in various lengths and slotted and un-slotted (perforated) profiles for easy attachment and wiring.

General Specifications

Compatibility	Deep Top Hat
DIN Rail Type	Unslotted
Applications	Large PLC's, Transformers and power supplies, Drives, Automation and control equipment, Contactors, overloads and relays, Circuit breakers and RCBO's, Timers and switches, Hydraulic components

Mechanical Specifications

Material	Steel
Length	1000mm
Width	35mm
Height	15mm
Weight	0.67kg/m

Approvals

European Safety Standard	EN5022
---------------------------------	--------