



Datasheet

Panel Screw Mount

ENGLISH

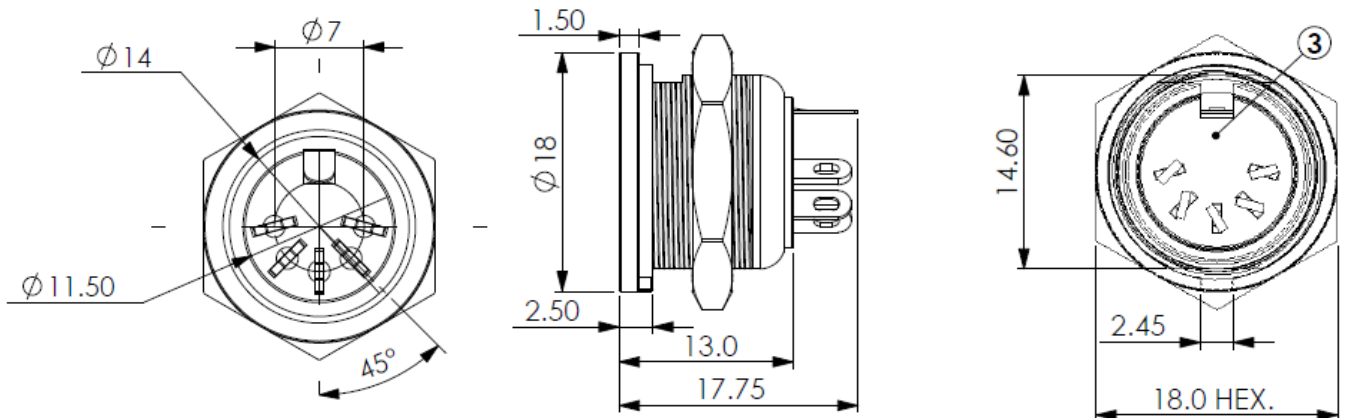
RS Stock number 490-983

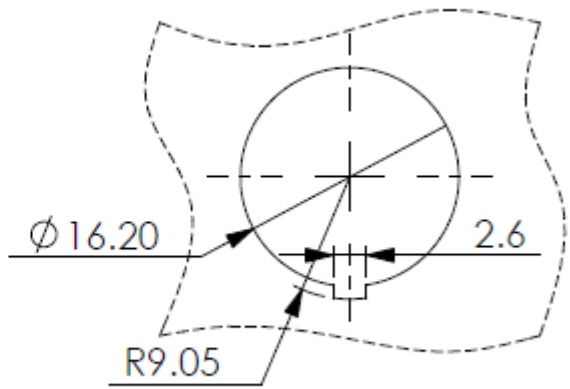
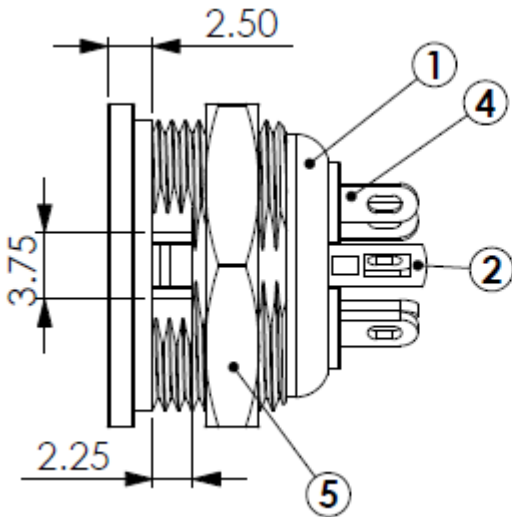


Specifications:

Rating:	100V AC 4A max.
Contact Resistance:	Pins-30mΩ max; shell-50mΩ max.
Insulation Resistance:	100MΩ min. at 500V DC
Voltage Withstand:	250V AC R.M.S for 1 minute

Dimensions(mm)





Through Hole Dimension

No.	Description	Material	Treat
1	Screw Nut	Zn Alloy	Chrome Ptd.
2	Terminals	Copper	Nickel Ptd.
3	5P 180 Housing	ABS	
4	Negative Contact	Brass	Silver Ptd.
5	Shield Cover	Brass	Nickel Ptd.