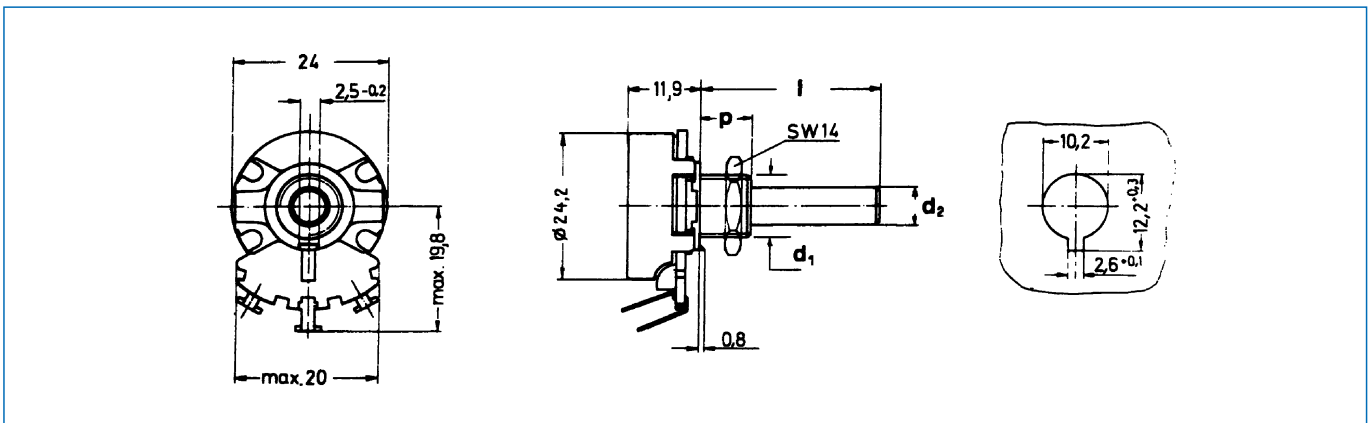


**Standard version with nut**  
**Special accessories: washer**



### Technical data

Rated resistance range:	5 $\Omega$ - 25 k $\Omega$
Resistance tolerance:	$\pm 10\%$ (< 10 $\Omega$ $\pm 20\%$ ) on request $\pm 5\%$ , $\pm 2\%$
Law (resistance taper):	lin
Independent linearity:	$\pm 2\%$
Rated dissipation:	4 W / 40 $^{\circ}\text{C}$
Limiting element voltage:	500 V
Isolation voltage:	1 kV $\sim$
Temperature range:	-40 $^{\circ}\text{C}$ to +90 $^{\circ}\text{C}$
Temperature coefficient:	see table
Electrical travel:	280 $^{\circ}$ $\pm$ 5 $^{\circ}$
Mechanical travel:	300 $^{\circ}$ $\pm$ 10 $^{\circ}$
Operating torque:	0,7 - 3,6 Ncm
End stop torque:	115 Ncm
Durability:	10 000 cycles

### Spindles:

Metal, plastic moulded on request  
(see table)

l (mm)	p (mm)	d <sub>2</sub> (mm)	d <sub>1</sub>
standard 50	8 or 12	6	M10 x 0,75

### Temperature coefficient and resolution

RN	10 $\Omega$	25 $\Omega$	50 $\Omega$	100 $\Omega$	250 $\Omega$	500 $\Omega$	1 k $\Omega$	2,5 k $\Omega$	5 k $\Omega$	10 k $\Omega$	25 k $\Omega$
TC-value ppm / $^{\circ}\text{C}$	+ 400	+ 400	+ 40 - 80	+ 40 - 80	+ 40 - 80	+ 140	$\pm 20$	$\pm 20$	$\pm 20$	$\pm 20$	$\pm 20$
Resolution %	0,75	0,75	0,7	0,5	0,35	0,35	0,3	0,3	0,2	0,15	0,13