

FEATURES

- Primary voltage rating of 230V ac
- Secondary voltage rating of 2x5, 2x6, 2x9, 2x12, 2x15, 2x18, 2x20 or 2x24V
- Power rating of 6 - 50VA
- Operating frequency of 50/60Hz
- Maximum temperature of 130°C
- Isolation of 4kV RMS
- Full varnish impregnation
- Low noise laminations
- Protection class IP00

RS PRO Clamp Mount Transformers – 230V



RS Professionally Approved Products bring to you professional quality parts across all product categories. Our product range has been tested by engineers and provides a comparable quality to the leading brands without paying a premium price.

Product Description

The Clamp Mount Transformers 6VA to 50VA are high quality isolating transformers designed for use in general applications. The two independent secondary windings may be connected in series or parallel to give a wide range of output voltage and current options. Designed according to the following specifications.

- Low noise laminations
- Double section bobbin construction
- Fully shrouded bobbins
- 2-hole clamp frame fixing
- Solder tag terminations
- Full varnish impregnation
- Optional terminal shrouds
- Detailed product specification on permanent label
- High efficiency, low regulation design
- 100% electrical and flash tested

General Specifications

Number of Outputs	2
Output Protection Type	None. Suggested fusing according to current rating.
Applications	Electromagnetic applications, electronic and electrical control systems, relays, pumps, speed changers, heating elements

Mechanical Specifications

Mounting Type	Clamp mount
Length	45-79mm
Width	40-62mm
Depth	37 - 65mm
Weight	0.2 – 1kg

Electrical Specifications

Power Rating	6 - 50VA
Primary Voltage Rating	230V ac
Secondary Voltage Rating	2x5, 2x6, 2x9, 2x12, 2x15, 2x18, 2x20 or 2x24V
Isolation	4kV RMS
Temperature Class	B (130°C) / max. Ta = 70°C

Input Data	
Rated Input Voltage	230V ac
Switch-On Time	100%
Minimum Operating Frequency	50Hz
Maximum Operating Frequency	60Hz

Output Data	
Rated Output Voltage	2x5, 2x6, 2x9, 2x12, 2x15, 2x18, 2x20 or 2x24V
Rated Power	6 - 50VA

Protection Category

IP Rating	IP00
------------------	------

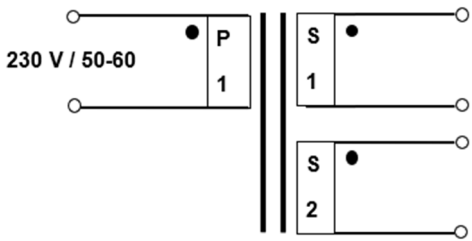
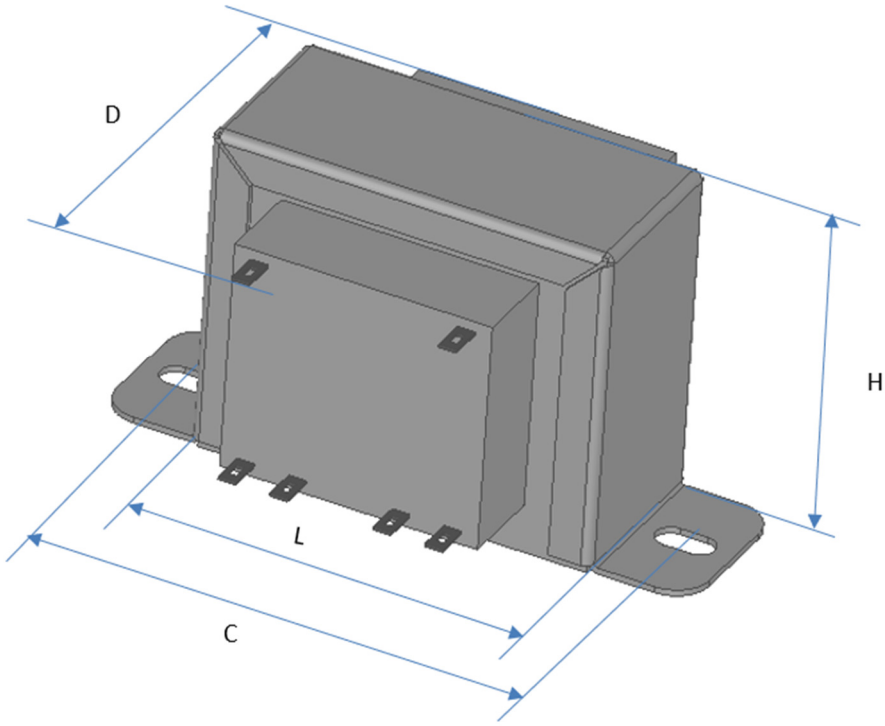
Approvals

Declarations	MFR Declaration of Conformity
Compliance	RoHS, CE
Standards Met	IEC/BS/EN 61558-1 AS/NZS 61558.1 IEC/BS/EN 61558-2-6 AS/NZS 61558.2.6

Order Details

RS Stock number	Power VA	Specification	No-load voltage +/- 5%	According to
504694	6	Clamp mounting Transformer, 230V / 2x5V	6.5 V	IEC61558-2-6
504767	6	Clamp mounting Transformer, 230V / 2x6V	8.0 V	IEC61558-2-6
504690	6	Clamp mounting Transformer, 230V / 2x9V	11.8 V	IEC61558-2-6
504779	6	Clamp mounting Transformer, 230V / 2x12V	15.5 V	IEC61558-2-6
504773	6	Clamp mounting Transformer, 230V / 2x15V	19.5 V	IEC61558-2-6
504757	6	Clamp mounting Transformer, 230V / 2x18V	24.5 V	IEC61558-2-6
504789	6	Clamp mounting Transformer, 230V / 2x20V	26.9 V	IEC61558-2-6
504739	6	Clamp mounting Transformer, 230V / 2x24V	32.0 V	IEC61558-2-6
504735	12	Clamp mounting Transformer, 230V / 2x5V	5.75 V	IEC61558-2-6
504745	12	Clamp mounting Transformer, 230V / 2x6V	6.8 V	IEC61558-2-6
504600	12	Clamp mounting Transformer, 230V / 2x9V	10.35 V	IEC61558-2-6
504741	12	Clamp mounting Transformer, 230V / 2x12V	13.6 V	IEC61558-2-6
504751	12	Clamp mounting Transformer, 230V / 2x15V	17.2 V	IEC61558-2-6
504606	12	Clamp mounting Transformer, 230V / 2x18V	20.3 V	IEC61558-2-6
504599	12	Clamp mounting Transformer, 230V / 2x20V	22.7 V	IEC61558-2-6
504616	12	Clamp mounting Transformer, 230V / 2x24V	27.2 V	IEC61558-2-6
504612	20	Clamp mounting Transformer, 230V / 2x5V	5.7 V	IEC61558-2-6
504593	20	Clamp mounting Transformer, 230V / 2x6V	7.0 V	IEC61558-2-6
504561	20	Clamp mounting Transformer, 230V / 2x6.3V	7.35 V	IEC61558-2-6
504577	20	Clamp mounting Transformer, 230V / 2x9V	10.3 V	IEC61558-2-6
504571	20	Clamp mounting Transformer, 230V / 2x12V	13.9 V	IEC61558-2-6
504587	20	Clamp mounting Transformer, 230V / 2x15V	17.5 V	IEC61558-2-6
504583	20	Clamp mounting Transformer, 230V / 2x18V	20.9 V	IEC61558-2-6
504650	20	Clamp mounting Transformer, 230V / 2x20V	23.2 V	IEC61558-2-6
504662	20	Clamp mounting Transformer, 230V / 2x24V	27.8 V	IEC61558-2-6
504666	50	Clamp mounting Transformer, 230V / 2x6V	6.6 V	IEC61558-2-6
504656	50	Clamp mounting Transformer, 230V / 2x9V	10.0 V	IEC61558-2-6
504672	50	Clamp mounting Transformer, 230V / 2x12V	13.3 V	IEC61558-2-6
504622	50	Clamp mounting Transformer, 230V / 2x15V	16.7 V	IEC61558-2-6
504640	50	Clamp mounting Transformer, 230V / 2x18V	20.0 V	IEC61558-2-6
504628	50	Clamp mounting Transformer, 230V / 2x20V	22.2 V	IEC61558-2-6
504638	50	Clamp mounting Transformer, 230V / 2x24V	26.6 V	IEC61558-2-6

Mechanical Drawings



Power	Overall Size	Fixing	Weight	Efficiency
[VA]	L x D x H [mm]	C [mm]	Slot size	%
6	45 x 40 x 37	53.5	4 x 5.5	> 80 %
12	59 x 50 x 50	70	4.7x8.7	>87%
20	59x57x50	70	4.7x8.7	> 80 %
50	79x62x65	92	4.7x9.5	>84%

Subject to errors and changes in data sheets. D4586163.