

## TILTED DIAMOND+ support tube, black, L 100 mm



### description

The holder tubes in various lengths and shapes, together with the mounting base, enable diverse mounting options for the TILTED DIAMOND+ variants. The mounting tubes are also used for the KIS.LIGHT and the TILTED DIAMOND+ IO-LINK. This allows the signal lights to be mounted easily and clearly even in remote or out-of-the-way locations.

The mounting tubes are connected to the mounting base by a threaded pin. The material is black coated steel. The holder tubes and the mounting base have environmental resistance, which is certified according to IEC 60068-2.

### technical data

#### > general

|                        |                                  |
|------------------------|----------------------------------|
| Color                  | black                            |
| Packaging unit         | 1 pcs.                           |
| net weight             | 148.0 g                          |
| Environment resistance | IEC 60068-2-27<br>IEC 60068-2-64 |
| MOQ order              | 1 pcs.                           |
| RoHS compliant         | Yes                              |
| REACH compliant        | Yes                              |
| Component material     | Metall                           |

#### direct links

> [RAFI eCatalog](#)

#### > mounting diameters

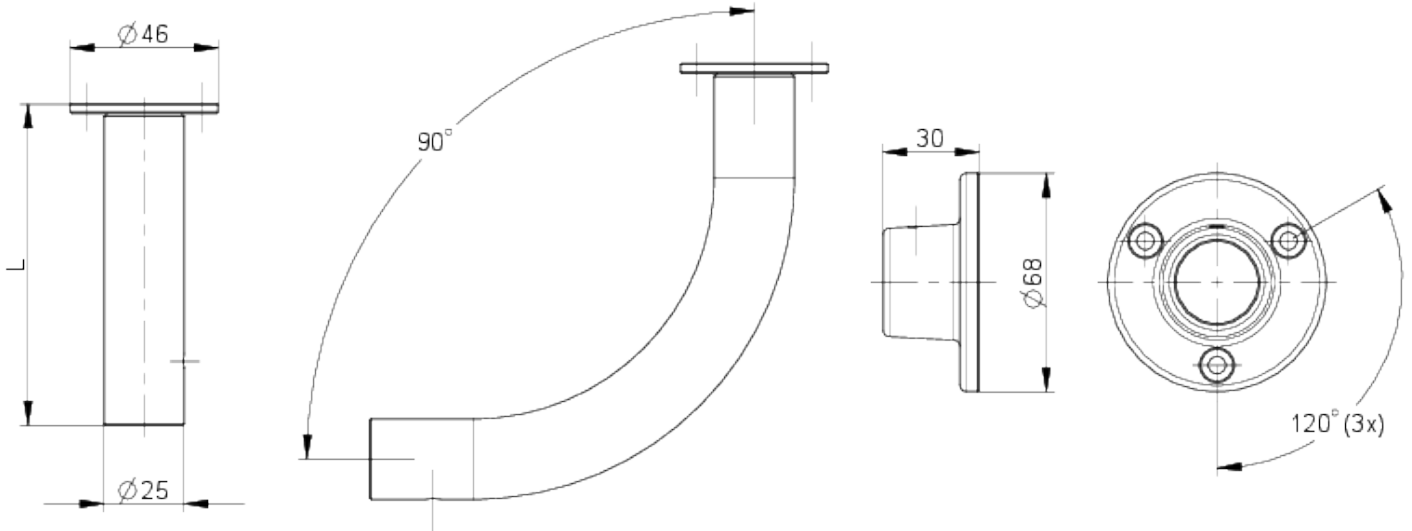
|                           |        |
|---------------------------|--------|
| Outside dimension, length | 100 mm |
| Outside dimension, width  | 46 mm  |

#### > mechanical data

|        |       |
|--------|-------|
| Fixing | Screw |
|--------|-------|

**drawings**

**Dimensioned drawing**



**System drawing**

