

# Series 5099.04

- Short, compact size
- Board-to-board contacting
- For use in charging units

Tip style • Diameter • Plating



D4  
1.30C Au

## Mechanical Data

Center	3.00 mm/ 120 mil
Full travel	4.00 mm
Working travel	3.30 mm
Pre-loaded spring force	0.15/ 0.25 N
Spring force at working travel	0.50/ 2.00 N

## Electrical Data

Max. current rating	5.0...8.0 A
Typical continuity resistance	<= 20 mOhm

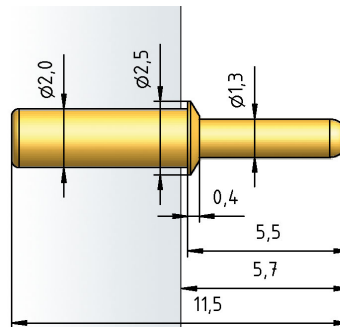
## Materials

Barrel	brass, gold plated
Spring	spring steel, gold plated
Plunger	CuBe
Receptacle	brass, gold plated

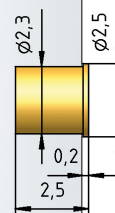
## Recommended diameter of drill

without receptacle	
HP 2361.1 (Trolitax)	1.99 mm
HGW 2371	2.00 mm
with receptacle	
HP 2361.1 (Trolitax)	2.29 mm
HGW 2371	2.30 mm

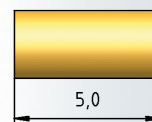
5099.04



H 5099-25



H 5099-50



## How to order:

5099 .04 - D4 - 2.0 N - Au - 1.3 C  
 1 2 3 4 5 6 7

1. series 2. variant 3. tip style 4. spring force 5. tip plating 6. tip diameter 7. tip material (only for CuBe)