

Features

- Excellent electrical connection
- Reduces short circuits
- German Colour coded insulation for easy ferrule size identification
- Nylon insulated for reduced leakage, creepage and gas intrusion
- Tin plated copper tube for excellent conductivity
- UL Recognized

RS PRO 400PCS BOOTLACE FERRULE KIT

RS Stock No.: 513-2562



RS Professionally Approved Products bring to you professional quality parts across all product categories. Our product range has been tested by engineers and provides a comparable quality to the leading brands without paying a premium price.

Product Description

From RS PRO a range of high-quality German colour coded bootlace ferrules (also known as cord end terminals) for providing a clean end termination to multi-stranded wires. These reliable wire ferrules ensure that you have a positive connection when connecting wires to terminal blocks and captive terminals

400pcs Kit

A clear circular box

Rotating lid with opening to remove individual wire ferrules

50 wire ferrules each for 0.5/2.5 mm² and 100 for 0.75/1/1.5 mm²

Suitable Crimping Tools

For ferrules with a wire size range of 0.5 to 6 mm² use crimping tool stock number 683-1605

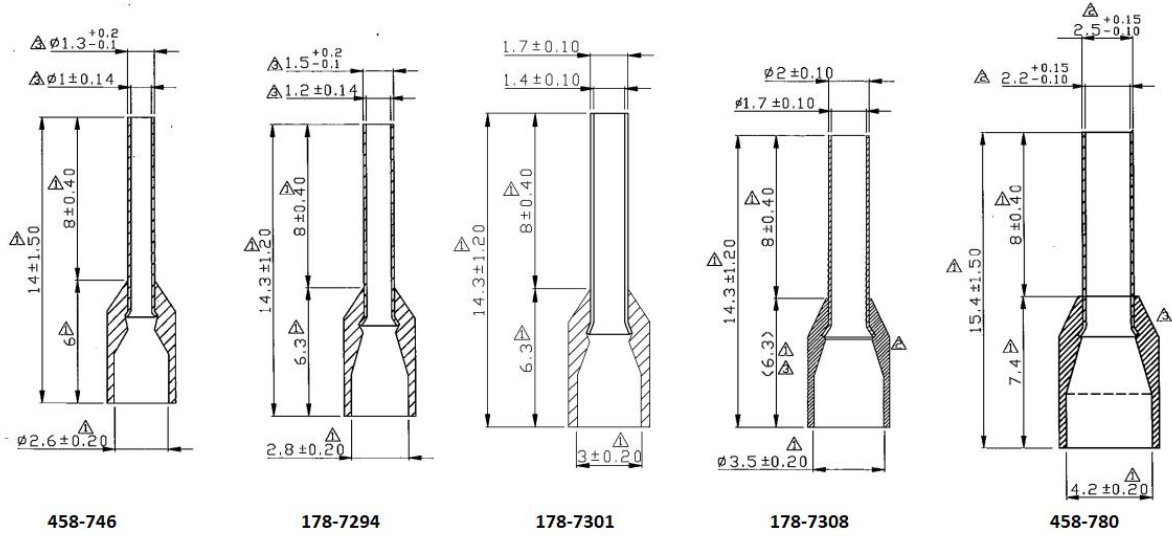
Approvals

Compliance/Certifications	RoHS/ REACH / UL94-V2
Declarations	

Products Contents

Parameters	#458-746	#178-7294	#178-7301	#178-7308	#458-780
Number of Entries	1	1	1	1	1
Insulation	Insulated	Insulated	Insulated	Insulated	Insulated
Insulation Material	Nylon	Nylon	Nylon	Nylon	Nylon
Insulation colour	Orange	White	Yellow	Red	Blue
Contact Material	Copper	Copper	Copper	Copper	Copper
Contact Plating	Tin Plated	Tin Plated	Tin Plated	Tin Plated	Tin Plated
Terminal Material	Copper tube	Copper tube	Copper tube	Copper tube	Copper tube
Surface Treatment	Tin Plated	Tin Plated	Tin Plated	Tin Plated	Tin Plated
Pack Quantity	50	100	100	100	50
Current Rating	12A	17A	17A	18A	30A
Voltage Rating	600V	600V	600V	600V	600V
Wire Size (mm ²)	0.5	0.75	1.0	1.5	2.5
Wire Size (AWG)	20	18	18	16	14
Pin Outside Diameter	1.3	1.5	1.7	2.0	2.5
Pin Inside Diameter	1.0	1.2	1.4	1.7	2.2
Pin Length (mm)	8	8	8	8	8
Overall Length (mm)	14	14.3	14.3	14.3	14.3
Maximum Temperature	105 ° C	105 ° C	105 ° C	105 ° C	105 ° C





458-746

178-7294

178-7301

178-7308

458-780

