

5174217-1 x OBSOLETE

AMPLIMITE | AMPLIMITE 0.50 Series

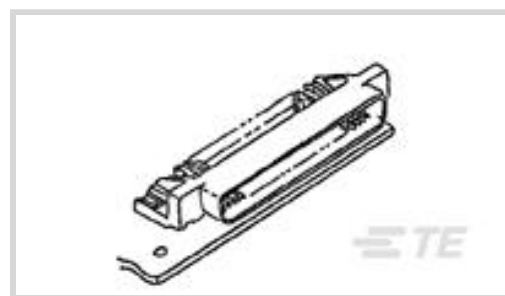
TE Internal #: 5174217-1

TE Internal Description: AMPLIMITE.050 PLUG ASS'Y (H) 30P PB-FREE

[View on TE.com >](#)



Connectors > D-Shaped Connectors > D-Sub Connectors > PCB D-Sub Connectors



Connector & Housing Type: **Plug**

Connector System: **Cable-to-Board**

Number of Positions: **30**

Centerline (Pitch): **1.27 mm [.05 in]**

Number of Rows: **2**

Features

Product Type Features

Shell Type	All Plastic
Connector & Housing Type	Plug
Connector System	Cable-to-Board
Connector & Contact Terminates To	Printed Circuit Board
Shielded	No
Connector Type	Connector Assembly
Product Type	Connector

Configuration Features

Number of Positions	30
Number of Rows	2
PCB Mount Orientation	Right Angle

Body Features

Post Plating Material	Tin over Nickel
Connector Profile	Standard

Contact Features

Contact Mating Area Plating Material	Gold
PCB Contact Termination Area Plating Material	Tin
Contact Base Material	Phosphor Bronze
Contact Shape & Form	Square



Contact Current Rating (Max)	1 A
	30 µin

Termination Features

Termination Method to Printed Circuit Board	Through Hole - Solder
Termination Post Length	3.1 mm[.122 in]

Mechanical Attachment

PCB Mount Alignment	Without
PCB Mount Retention	With
PCB Mount Retention Type	Retention Leg
Mating Retention	Without
Connector Mounting Type	Board Mount
Mating Alignment	Without
Mounting Hole Diameter	2.6 mm

Housing Features

Centerline (Pitch)	1.27 mm[.05 in]
Housing Material	PBT
Housing Color	Black

Dimensions

Row-to-Row Spacing	2.54 mm[.1 in]
PCB Thickness (Recommended)	.8 – 1.6 mm

Usage Conditions

Operating Temperature Range	-55 – 105 °C[-67 – 221 °F]
-----------------------------	----------------------------

Operation/Application

Circuit Application	Signal
---------------------	--------

Industry Standards

UL Flammability Rating	UL 94V-0
------------------------	----------

Packaging Features

Packaging Method	Tray
Packaging Quantity	128

Other

Comment	Connectors are secured by soldering to contact posts. For connector with retention
---------	--

legs, connector is temporarily secured onto pc board prior to soldering.

Product Compliance

[For compliance documentation, visit the product page on TE.com>](#)

EU RoHS Directive 2011/65/EU	Compliant
EU ELV Directive 2000/53/EC	Compliant
China RoHS 2 Directive MIIT Order No 32, 2016	No Restricted Materials Above Threshold
EU REACH Regulation (EC) No. 1907/2006	Current ECHA Candidate List: JUNE 2022 (224) Candidate List Declared Against: JUL 2019 (201) SVHC > Threshold: Not Yet Reviewed
Halogen Content	Not Low Halogen - contains Br or Cl > 900 ppm.
Solder Process Capability	Wave solder capable to 260°C

Product Compliance Disclaimer

This information is provided based on reasonable inquiry of our suppliers and represents our current actual knowledge based on the information they provided. This information is subject to change. The part numbers that TE has identified as EU RoHS compliant have a maximum concentration of 0.1% by weight in homogenous materials for lead, hexavalent chromium, mercury, PBB, PBDE, DBP, BBP, DEHP, DIBP, and 0.01% for cadmium, or qualify for an exemption to these limits as defined in the Annexes of Directive 2011/65/EU (RoHS2). Finished electrical and electronic equipment products will be CE marked as required by Directive 2011/65/EU. Components may not be CE marked. Additionally, the part numbers that TE has identified as EU ELV compliant have a maximum concentration of 0.1% by weight in homogenous materials for lead, hexavalent chromium, and mercury, and 0.01% for cadmium, or qualify for an exemption to these limits as defined in the Annexes of Directive 2000/53/EC (ELV). Regarding the REACH Regulation, the information TE provides on SVHC in articles for this part number is based on the latest European Chemicals Agency (ECHA) 'Guidance on requirements for substances in articles' posted at this URL: <https://echa.europa.eu/guidance-documents/guidance-on-reach>

Also in the Series | AMPLIMITE 0.50 Series



D-Sub Backshells & Clamps(31)



D-Sub Covers(20)



D-Sub Locking & Mounting(8)



IDC D-Sub Connectors(76)

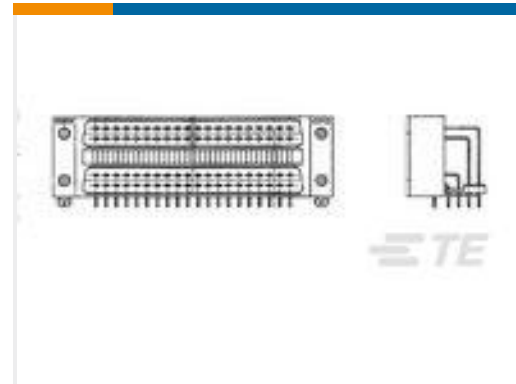
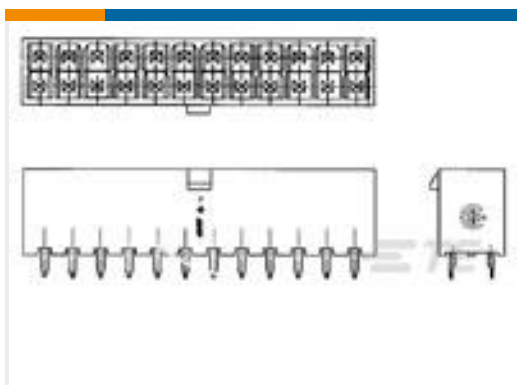
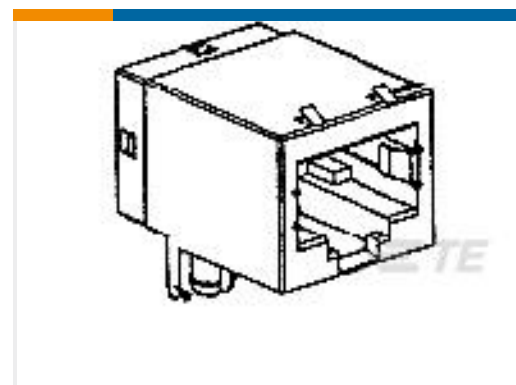


Insertion & Extraction Tools(1)



PCB D-Sub Connectors(191)

Customers Also Bought

TE Part #1-2271457-8
D3950 HDR 8POS 1ROW X KEYTE Part #1-1871673-3
DYNAMIC 1200D HDR ASSY H 6P
BLACK TINTE Part #900412-2
PC I/O RETENTION LEG ASSY 80PTE Part #1473226-1
SOCKET WITH RING MINI U-M-N-LTE Part #2-1586038-2
22P VRT HDR VAL-U-LOK V0TE Part #2229093-1
MOD JACK ASSEMBLY V-TYPE H=21.
7mmTE Part #5558342-3
MJ,8POS,R/A,CAT5,SHLD,PC GNDTE Part #ASA021N00210235000
623 PLUG

Documents

CAD Files

3D PDF

English

Customer View Model

[ENG_CVM_5174217-1_A.2d_dxf.zip](#)

English

Customer View Model

[ENG_CVM_5174217-1_A.3d_igs.zip](#)

English

Customer View Model

[ENG_CVM_5174217-1_A.3d_stp.zip](#)

English

By downloading the CAD file I accept and agree to the [Terms and Conditions](#) of use.

Product Specifications

Product Specification

English



Product Specification

English