

5415322-2 ✓ ACTIVE

TE Internal #: 5415322-2

RF Connectors, F Series RF Interface, Jack, 75 Ω , Push-On, 1 GHz

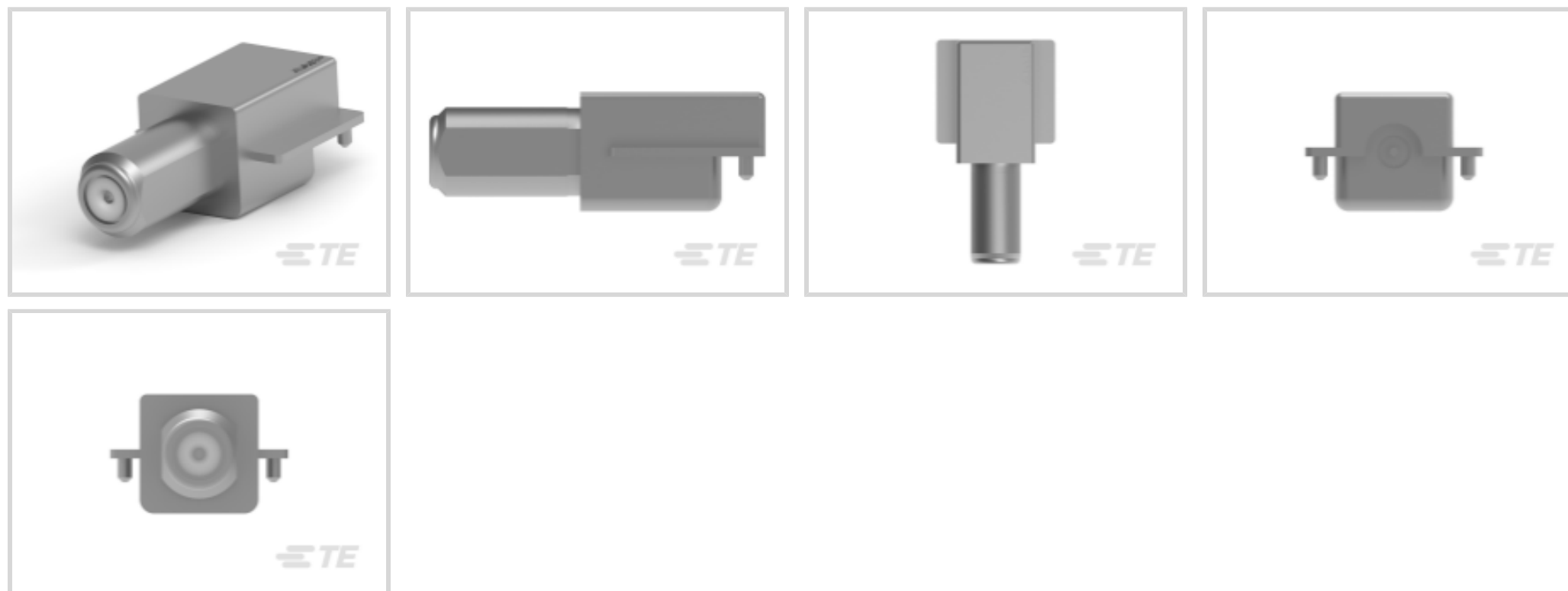
Operating Frequency, Cable-to-Board, 1 Position, Printed Circuit

Board, Board Mount

[View on TE.com >](#)



Connectors > RF Coax Connectors > RF Connectors



RF Interface: **F Series**

RF Connector Style: **Jack**

RF Connector Mated Outer Diameter (Approximate): **8 mm [.315 in]**

Impedance: **75 Ω**

RF Connector Coupling Mechanism: **Push-On**

Features

Product Type Features

RF Interface	F Series
RF Connector Style	Jack
Connector System	Cable-to-Board
Sealable	No
Connector & Contact Terminates To	Printed Circuit Board

Configuration Features

Number of Positions	1
PCB Mount Orientation	Right Angle
Number of Coaxial Contacts	1

Electrical Characteristics

Impedance	75 Ω
-----------	-------------

Body Features

Body Material	Zinc
Body Plating Material	Tin



Contact Features

RF Connector Center Contact Underplating Material	Nickel
RF Connector Center Contact Plating Material	Tin
RF Connector Center Contact Material	Phosphor Bronze

Termination Features

Termination Method to Printed Circuit Board	Surface Mount
---	---------------

Mechanical Attachment

RF Connector Coupling Mechanism	Push-On
Connector Mounting Type	Board Mount
RF Contact Captivation Method	Mechanical
Detent	Without

Dimensions

RF Connector Mated Outer Diameter (Approximate)	8 mm[.315 in]
Profile Height from PCB	6.83 mm[.269 in]

Usage Conditions

Operating Temperature Range	-55 – 85 °C[-67 – 185 °F]
-----------------------------	---------------------------

Operation/Application

Operating Frequency	1 GHz
---------------------	-------

Packaging Features

Packaging Method	Reel
------------------	------

Other

Comment	Center of gravity balanced for automated pick and place and anti-tipping during solder reflow process., Connector will accept center conductor diameter range of .56 – 1.19 [.022 – .047].
Dielectric Material	Polyester, PCT

Product Compliance

[For compliance documentation, visit the product page on TE.com>](#)

EU RoHS Directive 2011/65/EU	Compliant
EU ELV Directive 2000/53/EC	Compliant
China RoHS 2 Directive MIIT Order No 32, 2016	No Restricted Materials Above Threshold



EU REACH Regulation (EC) No. 1907/2006

Current ECHA Candidate List: JAN 2022 (223)

Candidate List Declared Against: JAN 2021 (211)

SVHC > Threshold:
Not Yet Reviewed

Halogen Content

Not Low Halogen - contains Br or Cl > 900 ppm.

Solder Process Capability

Pin-in-Paste capable to 260°C

Product Compliance Disclaimer

This information is provided based on reasonable inquiry of our suppliers and represents our current actual knowledge based on the information they provided. This information is subject to change. The part numbers that TE has identified as EU RoHS compliant have a maximum concentration of 0.1% by weight in homogenous materials for lead, hexavalent chromium, mercury, PBB, PBDE, DBP, BBP, DEHP, DIBP, and 0.01% for cadmium, or qualify for an exemption to these limits as defined in the Annexes of Directive 2011/65/EU (RoHS2). Finished electrical and electronic equipment products will be CE marked as required by Directive 2011/65/EU. Components may not be CE marked. Additionally, the part numbers that TE has identified as EU ELV compliant have a maximum concentration of 0.1% by weight in homogenous materials for lead, hexavalent chromium, and mercury, and 0.01% for cadmium, or qualify for an exemption to these limits as defined in the Annexes of Directive 2000/53/EC (ELV). Regarding the REACH Regulation, the information TE provides on SVHC in articles for this part number is based on the latest European Chemicals Agency (ECHA) 'Guidance on requirements for substances in articles' posted at this URL: <https://echa.europa.eu/guidance-documents/guidance-on-reach>

Compatible Parts



TE Part # CAT-884-FTYPEF75
F Type Coax Connector: Plug, 75 Ohm



TE Part # CAT-884-FTF75
F Type Connector: Jack, Right-Angle, Elbow Jack PCB, 75 Ohm

Customers Also Bought



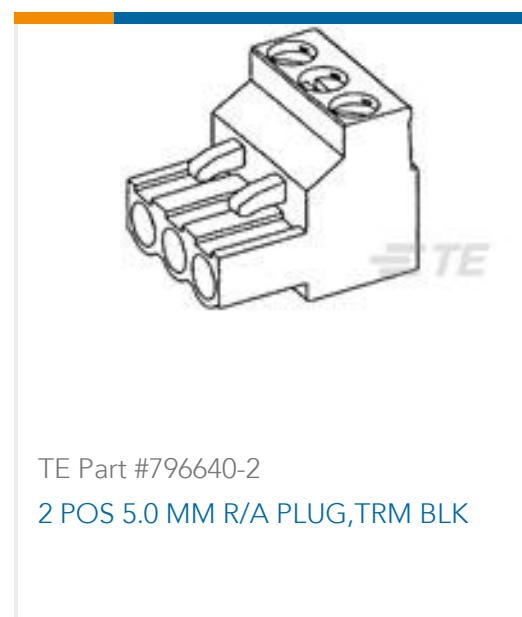
TE Part #1-5499206-0
AMP-LATCH UNIVERSAL HEADERS



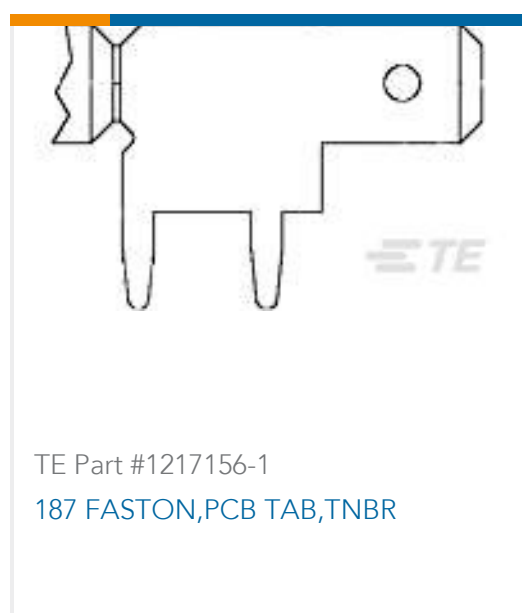
TE Part #3-641238-2
Nylon Gold Plated Receptacle: 2.54 mm, No Mating Alignment, MTA 100



TE Part #1623916-3
3203X 10K



TE Part #796640-2
2 POS 5.0 MM R/A PLUG, TRM BLK



Documents

Product Drawings

[SURFACE MOUNT JACK, F SERIES](#)

English

CAD Files

Customer View Model

[ENG_CVM_5415322-2_A.3d_igs.zip](#)

English

Customer View Model

[ENG_CVM_5415322-2_A.3d_stp.zip](#)

English

Customer View Model

[ENG_CVM_5415322-2_A.2d_dxf.zip](#)

English

3D PDF

English

By downloading the CAD file I accept and agree to the [Terms and Conditions](#) of use.

Datasheets & Catalog Pages

[F Series and G Series Connectors](#)

English

Product Specifications

[Product Specification](#)

English

[Connector, F Series Jack, PCB, Surface Mount](#)

English