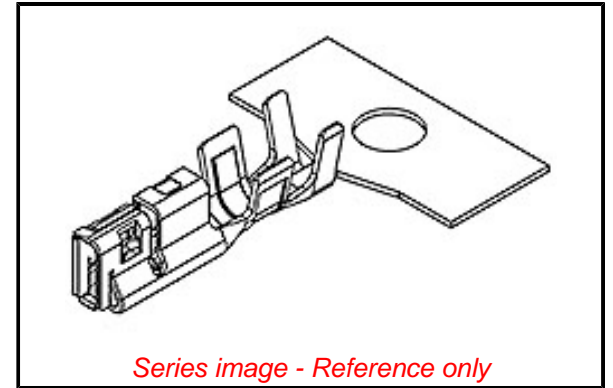


**PLEASE CHECK WWW.MOLEX.COM FOR LATEST PART INFORMATION**

**Part Number:** **5601240101**  
**Status:** **Active**  
**Overview:** DuraClik Connector System  
**Description:** DuraClik ISL Wire-to-Board Crimp Receptacle Terminal, Female, AVSS 0.3 Square Wire, Tin

**Documents:**

<a href="#">3D Model</a>	<a href="#">Product Specification PS-560123-003-001 (PDF)</a>
<a href="#">Drawing (PDF)</a>	<a href="#">Application Specification AS-560123-001-001 (PDF)</a>
<a href="#">Product Specification PS-560123-001-001 (PDF)</a>	<a href="#">Packaging Specification PK-560124-001 (PDF)</a>
<a href="#">Product Specification PS-560123-002-001 (PDF)</a>	<a href="#">RoHS Certificate of Compliance (PDF)</a>



**General**

Product Family	Crimp Terminals
Series	560124
Application	Automotive, Signal, Wire-to-Board
Crimp Quality Equipment	Yes
Overview	<u>DuraClik Connector System</u>
Product Name	DuraClik
UPC	887191705569

**Physical**

Gender	Female
Material - Metal	Copper Alloy
Material - Plating Mating	Tin
Material - Plating Termination	Tin
Net Weight	0.063/g
Packaging Type	Reel
Termination Interface: Style	Crimp or Compression
Wire Insulation Diameter	1.40mm
Wire Size AWG	22
Wire Size mm <sup>2</sup>	0.35

**Electrical**

Current - Maximum per Contact	3.0A
Voltage - Maximum	125V

**Solder Process Data**

Lead-free Process Capability	N/A
------------------------------	-----

**Material Info**

**Reference - Drawing Numbers**

Application Specification	AS-560123-001-001
Crimp Specification	CS-560124-001-001
Packaging Specification	PK-560124-001
Product Specification	PS-560123-001-001, PS-560123-002-001, PS-560123-003-001
Sales Drawing	SD-560124-001

**EU ELV**

**Compliant**

**EU RoHS**

**Compliant**

**REACH SVHC**

Not Contained Per -  
ED/71/2019 (16 July  
2019)

**Halogen-Free**

**Status**

**Low-Halogen**

For more information, please visit [Contact US](#)

China ROHS

ELV

RoHS Phthalates

**China RoHS**

Green Image

Compliant

Not Contained

**Search Parts in this Series**

560124 Series

**Use With**

560123 DuraClik ISL Receptacle Housing

**Application Tooling | FAQ**

*Tooling specifications and manuals are found by selecting the products below. Crimp Height Specifications are then contained in the Application Tooling Specification document.*

**Global**

Description	Product #
Extraction and Activation Tool	<a href="#">638132700</a>
Hand Crimp Tool for DuraClik ISL Receptacle Terminal, Female, ASS 0.30-0.35 Square Wire	<a href="#">638277800</a>
FineAdjust Applicator for 2.00mm DuraClik ISL Receptacle	<a href="#">639037400</a>

Terminals, 0.30mm<sup>2</sup>  
AVSS, 0.35mm<sup>2</sup> ISO  
wires

This document was generated on 09/17/2019

**PLEASE CHECK [WWW.MOLEX.COM](http://WWW.MOLEX.COM) FOR LATEST PART INFORMATION**