

5745173-1 ✓ ACTIVE

AMPLIMITE | AMPLIMITE Kit

TE Internal #: 5745173-1

AMPLIMITE Kit, D-Sub Backshells & Clamps, Cable Clamp Kit, Two-Piece RFI/EMI Shield, 25 Position, Size 3, Shielded, Cable Exit Angle 180° (In-Line)

[View on TE.com >](#)



Connectors > D-Shaped Connectors > D-Sub Accessories > D-Sub Backshells & Clamps



D-Shaped Connector Accessories: **Cable Clamp Kit**

Cable Clamp Type: **Two-Piece RFI/EMI Shield**

Number of Positions: **25**

Compatible With Connector Shell Size: **3**

Shielded: **Yes**

Features

Product Type Features

Grommets	Without
D-Shaped Connector Accessories	Cable Clamp Kit
Connector & Contact Terminates To	Wire & Cable

Configuration Features

Number of Positions	25
---------------------	----

Body Features

Shield Plating Material	Nickel over Copper
Cable Clamp Plating Material	Nickel over Copper
Cable Clamp Material	Die Cast
Shield Plating Finish	Bright
Cable Clamp Type	Two-Piece RFI/EMI Shield
Cable Exit Angle	180° (In-Line)

Mechanical Attachment

Screw & Hole Thread Size	4-40
--------------------------	------



Dimensions

Cable Insulation Diameter Range	13.46 mm[.53 in]
---------------------------------	------------------

Usage Conditions

Operating Temperature Range	-55 – 85 °C[-67 – 185 °F]
-----------------------------	---------------------------

Operation/Application

Compatible With Connector Shell Size	3
Shielded	Yes

Packaging Features

Packaging Quantity	1
Packaging Method	Bag

Other

Comment	All parts are packaged unassembled., For use with Grommet Set Part No. 747973-1, Jackscrews must be purchased separately., Shielded cable clamps will not accept connector housings with clinch nuts.
Long Turnable Jackscrew Part Number	747784-3

Product Compliance

[For compliance documentation, visit the product page on TE.com>](#)

EU RoHS Directive 2011/65/EU	Compliant
EU ELV Directive 2000/53/EC	Compliant
China RoHS 2 Directive MIIT Order No 32, 2016	No Restricted Materials Above Threshold
EU REACH Regulation (EC) No. 1907/2006	Current ECHA Candidate List: JAN 2022 (223) Candidate List Declared Against: JAN 2022 (223) Does not contain REACH SVHC
Halogen Content	Low Halogen - Br, Cl, F, I < 900 ppm per homogenous material. Also BFR/CFR/PVC Free
Solder Process Capability	Not applicable for solder process capability

Product Compliance Disclaimer

This information is provided based on reasonable inquiry of our suppliers and represents our current actual knowledge based on the information they provided. This information is subject to change. The part numbers that TE has identified as EU RoHS compliant have a maximum concentration of 0.1% by weight in homogenous materials for lead, hexavalent chromium, mercury, PBB, PBDE, DBP, BBP, DEHP, DIBP, and 0.01% for cadmium, or qualify for an exemption to these

limits as defined in the Annexes of Directive 2011/65/EU (RoHS2). Finished electrical and electronic equipment products will be CE marked as required by Directive 2011/65/EU. Components may not be CE marked. Additionally, the part numbers that TE has identified as EU ELV compliant have a maximum concentration of 0.1% by weight in homogenous materials for lead, hexavalent chromium, and mercury, and 0.01% for cadmium, or qualify for an exemption to these limits as defined in the Annexes of Directive 2000/53/EC (ELV). Regarding the REACH Regulation, the information TE provides on SVHC in articles for this part number is based on the latest European Chemicals Agency (ECHA) 'Guidance on requirements for substances in articles' posted at this URL: <https://echa.europa.eu/guidance-documents/guidance-on-reach>

Compatible Parts



TE Part # CAT-AM7-248H5
IDC D-Sub: Receptacle Assembly, Wire to Wire, Signal, 2.77 mm



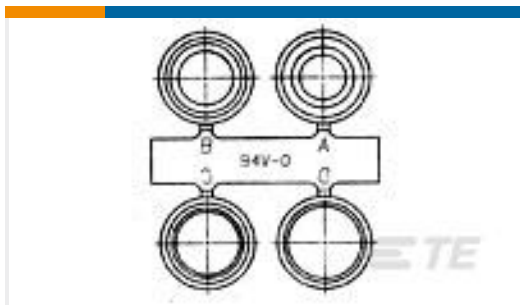
TE Part # CAT-AM7-248H3
IDC D-Sub: Plug Assembly, Wire to Wire, Signal, 2.77 mm



TE Part # 745255-2
SPRING LATCH 2/BAG



TE Part # 745508-9
FERRULE SPLIT RING, HD



TE Part # 747973-1
GROMMET ASSORTMENT, SZ 3,4 & 5

Also in the Series | AMPLIMITE Kit



D-Sub Backshells & Clamps(136)



D-Sub Contact Accessories(1)



D-Sub Covers(3)

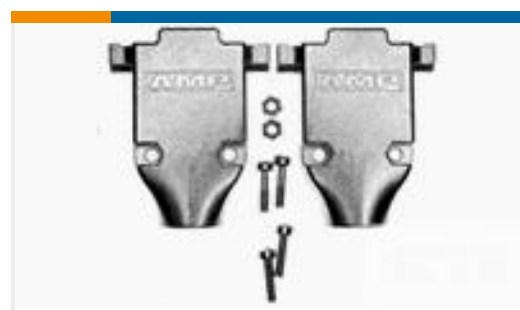


D-Sub Locking & Mounting(122)

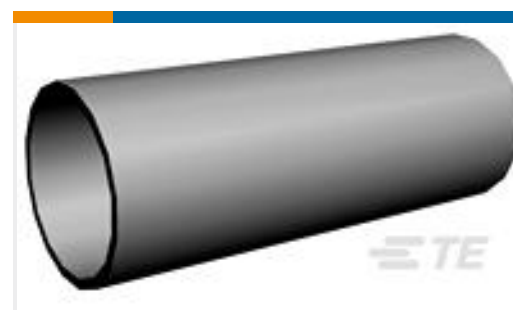
Customers Also Bought



TE Part #696451-1
PIDG 22-16 K-D,NI-PL



TE Part #5745172-1
SIZE 2 ASSY KIT



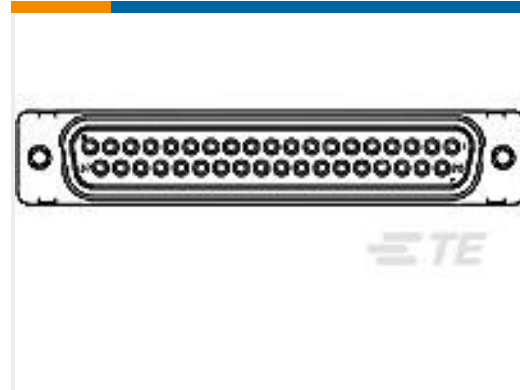
TE Part #4-745130-2
SHLDING FERRULE,PLTD,BULK PKG



TE Part #YDTS20G25-19SAV001
RECP ASSY



TE Part #233238N001
D-150-1011CS821



TE Part #1484950-1
AMPLIMITE PLG ASY,25P,SZ3,SER109



TE Part #413589-2
KIT PLUG 75 OHM BNC HEX CRIMP



TE Part #ZPF00000000012711
DBAS 70-61-0 SN 090-1A SCC



TE Part #ZPF000000000097569
DBAS 70-61-0 SY 090-1A SCC

Documents

Product Drawings

[CABLE CLAMP KIT,SZ 3](#)

English

CAD Files

[3D PDF](#)

3D

[Customer View Model](#)

[ENG_CVM_CVM_5745173-1_O.2d_dxf.zip](#)

English

[Customer View Model](#)

[ENG_CVM_CVM_5745173-1_O.3d_igs.zip](#)

English

[Customer View Model](#)

[ENG_CVM_CVM_5745173-1_O.3d_stp.zip](#)

English

By downloading the CAD file I accept and agree to the [Terms and Conditions](#) of use.

Datasheets & Catalog Pages



[AMPLIMITE Subminiature D Connectors - Cable Connectors](#)

English

[AMPLIMITE Cable Connectors and Shielding Hardware Kits QRG](#)

English

[Product Specifications](#)

[Product Specification](#)

English

[Product Specification](#)

English

[Product Environmental Compliance](#)

[MD_5745173-1_07172013136_dmtec](#)

English

[MD_5745173-1_07172013136_dmtec](#)

English

[Instruction Sheets](#)

[Instruction Sheet \(U.S.\)](#)

English