






NEOZED-FLUSH MOUNTING FUSE BASE MOLDED PLASTIC,  
 D02 3-POLE TOUCH PROTECTION (BGV A2) ACCESS:  
 ELEVATOR TERMINAL OUTGOING: ELEVATOR  
 TERMINAL 63A,  
 AC 400V/DC 250V

Similar to image

**Technical data:**

<b>Number of poles</b>		3
<b>Type of mounting</b>		DIN rail
<b>Operating current / rated value</b>	A	63
<b>Operating voltage / rated value</b>	V	400
<b>Material / of D fuse base</b>		others
<b>Product component / Cover</b>		Yes
<b>Size of the fallback-system / acc. to DIN EN 60269-1</b>		D02

**Certificates/approvals:**

General Product Approval	Declaration of Conformity	Test Certificates
 GOST	 VDE	 EG-Konf.
		<a href="#">Type Test Certificates/Test Report</a>

**Further information:**

**Information- and Downloadcenter (Catalogs, Brochures,...)**

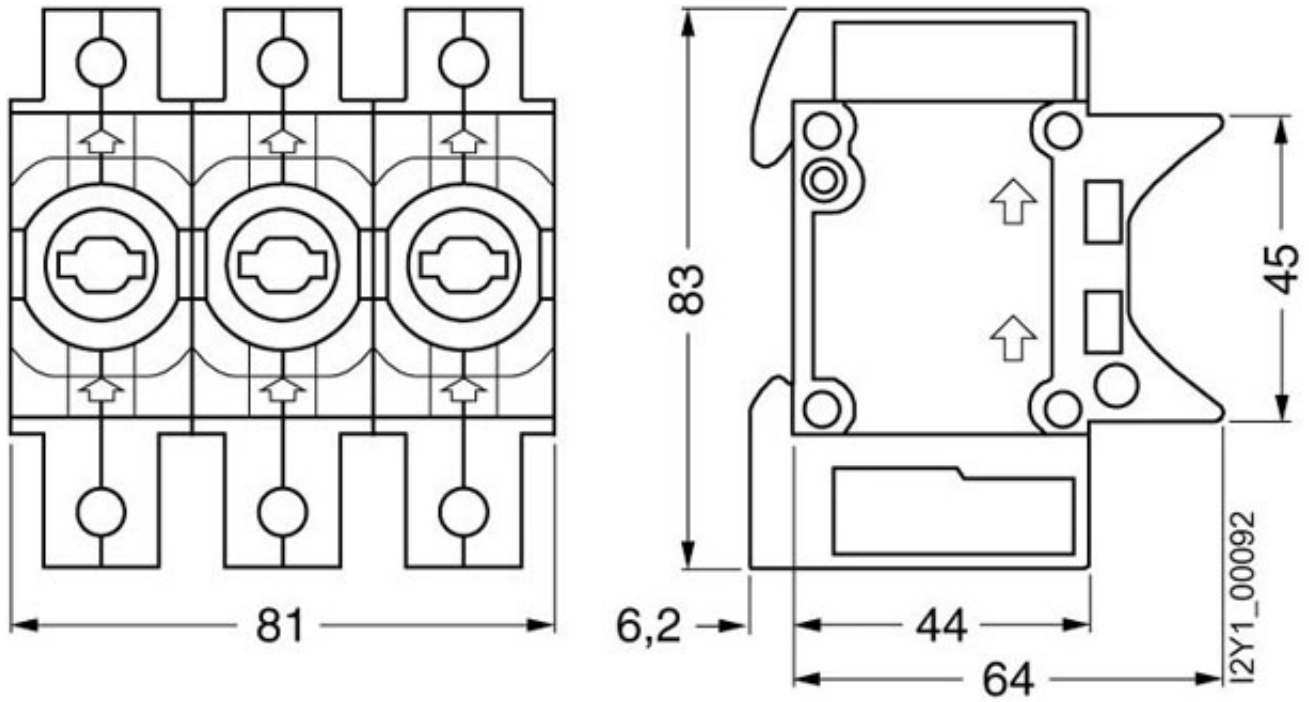
<http://www.siemens.com/lowvoltage/catalogs>

**Industry Mall (Online ordering system)**

<http://www.siemens.com/lowvoltage/mall>

Tender specifications

Datanorm [GAEB81](#) [GAEB83](#) RTF TXT



last change:

Oct 28, 2013