

Datasheet

**RS Pro 3 → 24 V dc 77dB sound Through Hole
Continuous Internal Piezo Buzzer, 1700 → 2700 Hz**
RS Stock No: **617-3053**



Product Details

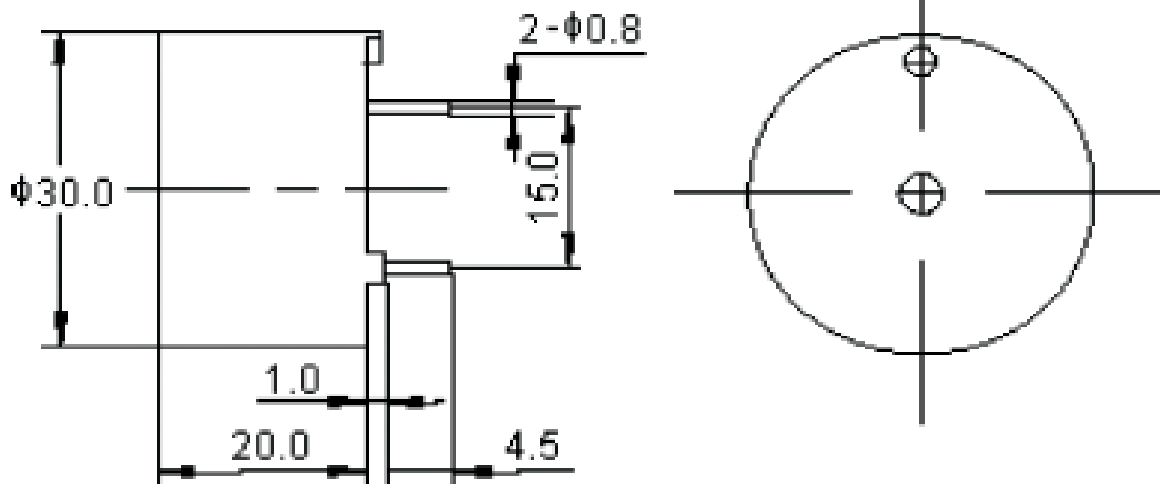
RS Pro internal piezo buzzer operates at a voltage range of 3 - 24 V dc. This continuous buzzer delivers 77 dB sound at a frequency range of 1700 - 2700 Hz. It is suitable for applications that require high sound output.

Features and Benefits

- Circular cased PCB mounting
- High sound output buzzers
- Continuous delivery

**Specifications:**

Drive Type	Internal
Mounting Type	Through Hole
Tone Type	Continuous
Diameter	30 mm
Dimensions	30 (dia.) x 20 mm
Height	20 mm
Maximum Frequency	2700 Hz
Maximum Operating Temperature	+80°C
Maximum Supply Voltage	24 V dc
Minimum Frequency	1700 Hz
Minimum Operating Temperature	-20°C
Minimum Supply Voltage	3 V dc
Sound Level	77 dB
Supply Current	13 mA



Tolerance: ± 0.5

Dimensions : Millimetres