

FEATURES

- Piezo buzzer with a continuous, fast-pulsed tone
- Panel mounting
- Minimum supply voltage of 6 V DC
- Maximum supply voltage of 28 V DC
- 92 dB sound level
- Internal drive
- Diameter of 42.5 mm
- Height of 33 mm
- Operating temperature range of -30°C to +85°C
- Supply current of 29 mA
- Minimum frequency of 2300 Hz
- Maximum frequency of 3.3 kHz

RS PRO 92dB, Panel Mount Continuous, Fast Pulse Internal Buzzer

RS Stock No.: 622-1556



RS Professionally Approved Products bring to you professional quality parts across all product categories. Our product range has been tested by engineers and provides a comparable quality to the leading brands without paying a premium price.

Product Description

For high-quality internal buzzers, look to the RS PRO range. These continuous, fast-pulse buzzers deliver a clear tone and come in a space-saving unit, meaning they're a versatile choice. With an operating range of 6 V dc and 28 V dc, these buzzers are compatible with most consumer appliances. They draw a 29 mA supply current to produce a continuous and fast pulsing 92 dB tone, which is loud enough to cut through loud environmental noise. All of this comes in a compact, panel-mount design measuring 42.5 mm. The buzzer units also feature FASTON terminals, so wires can be easily connected and crimped onto them without the need to solder.

General Specifications

Mounting Type	Panel Mount
Sound Level	92dB
Drive Type	Internal
Tone Type	Continuous, Fast Pulse
Housing Material	ABS
Application	Alarms or warning systems, communications equipment and electronic cash registers.

Electrical Specifications

Minimum Supply Voltage	6Vdc
Maximum Supply Voltage	28Vdc
Maximum Frequency	3.3kHz
Minimum Frequency	2300Hz
Supply Current	29mA

Mechanical Specifications

Diameter	42.5mm
Height	33mm
Dimensions	42.5mm (Dia.) x 33mm
Weight	35g
Sound Level Distance	30cm

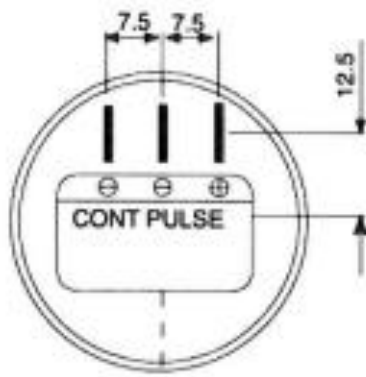
Operation Environment Specifications

Minimum Operating Temperature	-30°C
Maximum Operating Temperature	85°C

Approvals

Compliance/Certifications	ANSI/ESD S20.20:2014, BS EN 61340-5-1:2007
---------------------------	--------------------------------------------





Top View

