

FEATURES

- 180° rotational head
- Supplied with Die Sets
- Built-in safety valve
- Pressure release lever
- Housed in a moulded plastic carry case
- Comprehensive instructions included
- Cable Range: 6 mm² -185 mm²
- Crimping Force: 50kN
- Rated Operating Pressure: 600bar (8600 psi)

RS PRO Hydraulic Crimping Tool for Tubular Cable Lug

RS Stock No.: 624-1285



RS Professionally Approved Products bring to you professional quality parts across all product categories. Our product range has been tested by engineers and provides a comparable quality to the leading brands without paying a premium price.

Product Description

RS PRO brings to you a hydraulic crimp tool, designed for industrial cable assembly applications such as car battery cables. Where conventional crimpers won't do this tool meets the challenge and packs a real punch. This compact hand tool has the benefit of spring-loaded handles, a 180° rotational head and a selection of dies that can be advanced using only one hand leaving the other free to position the cable and connector.

RS PRO Die Sets Available Separately

- RS Stock no: [624-1358](#), [624-1308](#), [624-1336](#), [624-1320](#)

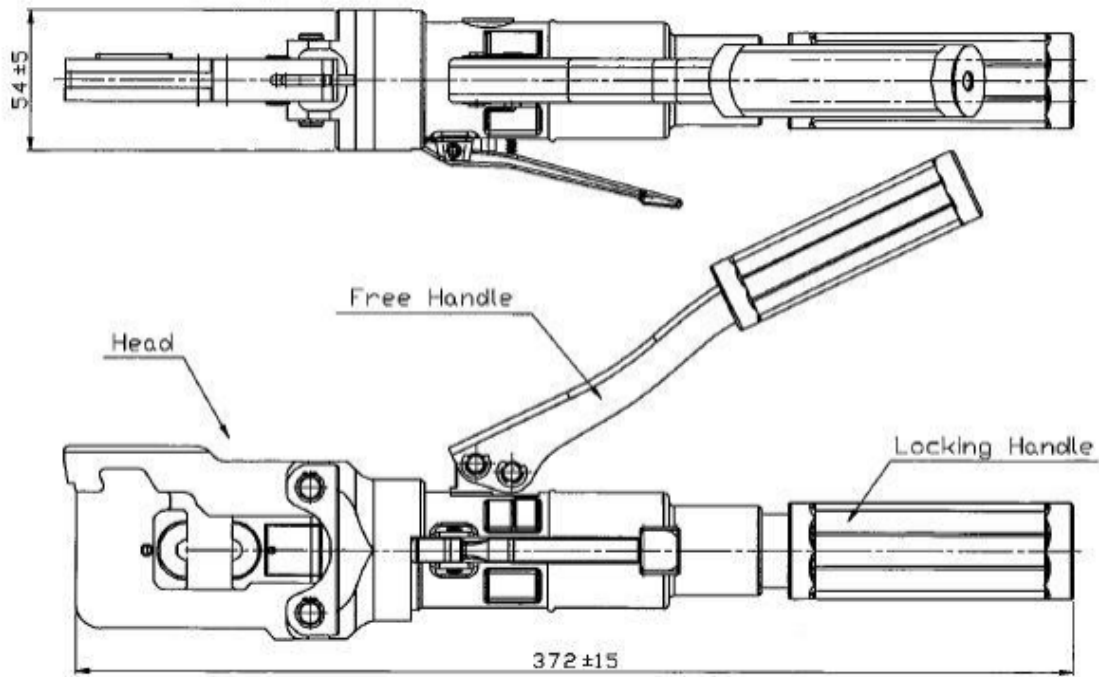
General Specifications

| | |
|-----------------------------|--------------------------------------------------------------------|
| Crimp Tool Type | Hydraulic |
| Crimp Connector Type | Tubular Cable Lug |
| Applications | Maintenance and repair, Electrical Installations, Cable assemblies |

Mechanical Specifications

| | |
|-----------------------------------|--------------------------------------|
| Overall Length | 386mm |
| Dimensions | (Crimping die)95mm ² |
| Wire Size (mm²) | 6mm ² -185mm ² |
| Crimping Force | 50KN |
| Rated Operating Pressure | 600 bar |
| Standard Die Length | 60mm |
| Standard Die width | 29.9mm |
| Standard Die Height | 11.95mm |
| Maximum contact diameter | 13.85mm |





- A 60mm
- B 29,9mm
- C 11,95mm
- Crimping dimensions:
- S 8,2mm
- F 13,85mm

