

**TECHNICAL SPECIFICATIONS**

**D-Sub Hood:**

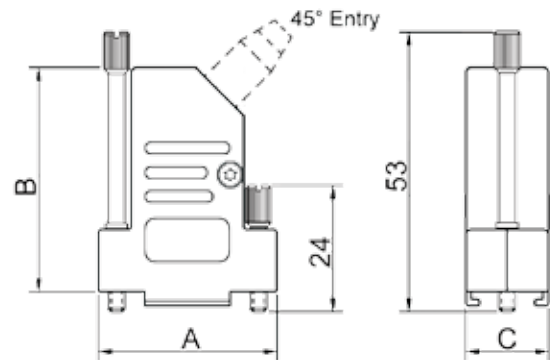
Material: Zinc, Nickel Plated  
 Operating Temperature: -40°C to +120°C  
 Cable Entry: 45° Side Entry  
 Rubber Grommet RGS  
 Strain relief: Clamp + Insert  
 Thumbscrews: UNC 4-40 (Standard)  
 M2,5 or M3 on request  
 Cable O.D: Up to 11.5mm

**Male D-Sub Solder Cup:**

Insulator: PBT, Black, UL94 V-0  
 Shell: Steel, Tin Plated  
 Contact pins: Copper Alloy  
 Stamped & Formed Pins: Class 3, 100 inserts min.  
 Machined Contact Pins: Class 1, 500 inserts min.  
 Contact Plating: Selective Gold over Nickel  
 Operating Temperature: -55°C to +105°C  
 Withstanding voltage: 1000V for 1 minute  
 Insulator resistance: 1000MΩ min.

**Features:**

- 360° EMI Shielding
- Quick assembly
- Pre-mounted locking screws
- Supports all types of cables
- Suitable for any common D-Sub connector
- Available in Sizes 9-15-25



D-Sub-Hood

Size DTSL	Dim A	Dim B	Dim C
9-way	32,2	42,0	15,0
15-way	40,8	42,3	15,0
25-way	54,0	42,3	15,0
37-way	70,5	48,0	15,0

**Ordering information:**

**Class 3 Sub-D Connector Kits (100 inserts min.)**

Size:	P/N - Kitted:	Product Code - MALE Conn. Kit
9-way	6355-0042-01	DTSL09-LJSRG-S-DBP-K
15-way	6355-0042-02	DTSL15-LJSRG-S-DBP-K
25-way	6355-0042-03	DTSL25-LJSRG-S-DBP-K
37-way	6355-0042-04	DTSL37-LJSRG-S-DBP-K

**Ordering information:**

**Class 1 Sub-D Connector Kits (500 inserts min.)**

Size:	P/N - Kitted:	Product Code - MALE Conn. Kit
9-way	6355-0042-21	DTSL09-LJSRG-S-DMP-K
15-way	6355-0042-22	DTSL15-LJSRG-S-DMP-K
25-way	6355-0042-23	DTSL25-LJSRG-S-DMP-K
37-way	6355-0042-24	DTSL37-LJSRG-S-DMP-K



**Encitech AB**  
 Rörkullsvägen 4  
 SE-302 41 HALMSTAD, Sweden

Tel.: +46-(0)35-15 13 90  
 Fax: +46-(0)35-15 13 99

[www.encitech.com](http://www.encitech.com)