



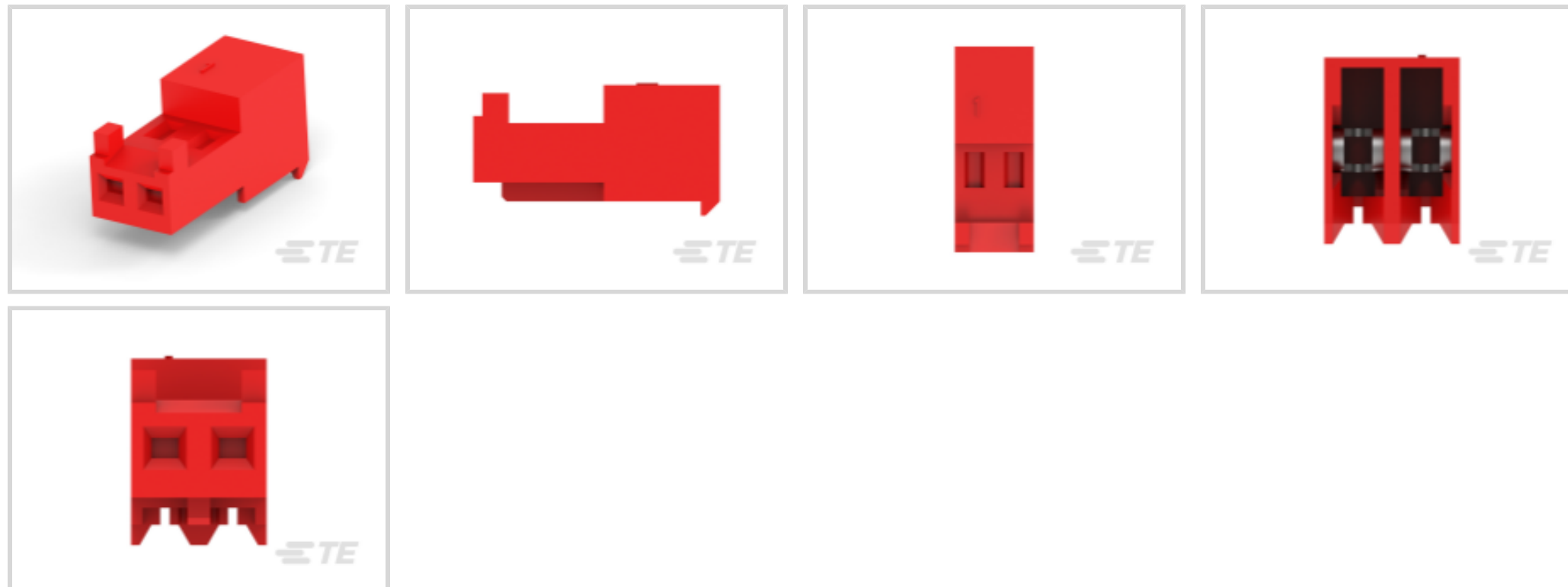
MTA 100

TE Internal #: 644042-2

TE Internal Description: 02P MTA100 CONN ASSY 30AU

Nylon Gold Plated Receptacle: 2.54 mm, with Mating Alignment, MTA 100

[View on TE.com >](#)



All Nylon Gold Plated Receptacle: 2.54 mm, with Mating Alignment, MTA 100 (75)

Product Compliance

[For compliance documentation, visit the product page on TE.com>](#)

EU RoHS Directive 2011/65/EU	Compliant
EU ELV Directive 2000/53/EC	Compliant
China RoHS 2 Directive MIIT Order No 32, 2016	No Restricted Materials Above Threshold
EU REACH Regulation (EC) No. 1907/2006	Current ECHA Candidate List: JAN 2023 (233) Candidate List Declared Against: JUNE 2022 (224) Does not contain REACH SVHC
Halogen Content	Low Halogen - Br, Cl, F, I < 900 ppm per homogenous material. Also BFR/CFR/PVC Free
Solder Process Capability	Not applicable for solder process capability

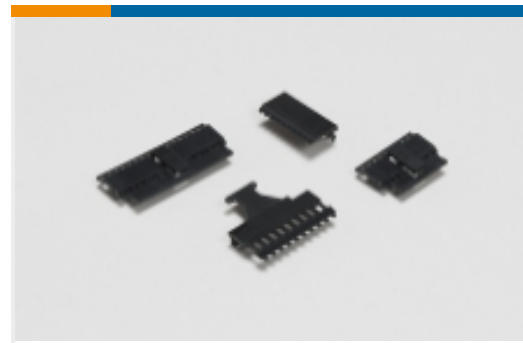
Product Compliance Disclaimer

This information is provided based on reasonable inquiry of our suppliers and represents our current actual knowledge based on the information they provided. This information is subject to change. The part numbers that TE has identified as EU RoHS compliant have a maximum concentration of 0.1% by weight in homogenous materials for lead, hexavalent chromium, mercury, PBB, PBDE, DBP, BBP, DEHP, DIBP, and 0.01% for cadmium, or qualify for an exemption to these limits as defined in the Annexes of Directive 2011/65/EU (RoHS2). Finished electrical and electronic equipment products will be CE marked as required by Directive 2011/65/EU. Components may not be CE marked. Additionally, the part numbers that TE has identified as EU ELV compliant have a maximum concentration of 0.1% by weight in homogenous materials for lead, hexavalent chromium, and mercury, and 0.01% for cadmium, or qualify for an exemption to these limits as defined in the Annexes of Directive 2000/53/EC (ELV). Regarding the REACH Regulation, the information TE provides on SVHC in articles for this part number is based on the latest European Chemicals Agency (ECHA) 'Guidance on requirements for substances in articles' posted at this URL: <https://echa.europa.eu/guidance-documents/guidance-on-reach>

Also in the Series | MTA 100



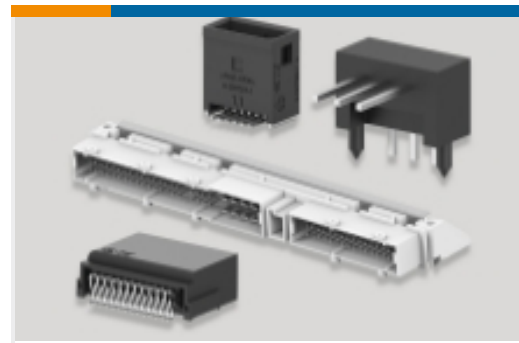
Insertion & Extraction Tools(2)



PCB Connector Covers(69)



PCB Connector Keying(1)



PCB Headers & Receptacles(451)



Standard Rectangular Connectors(498)



Wire-to-Board Connector Assemblies & Housings(1)

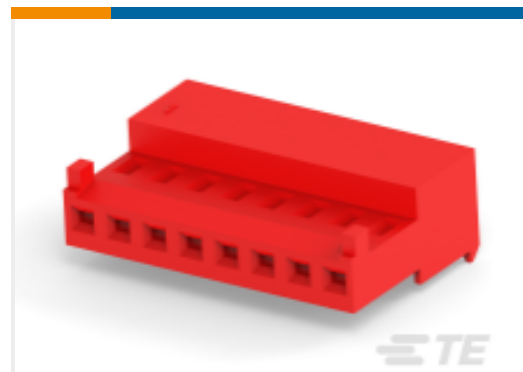


Wire-to-Board Connector Contacts(8)

Customers Also Bought



TE Part #7-1393211-2
T92P7D22-48



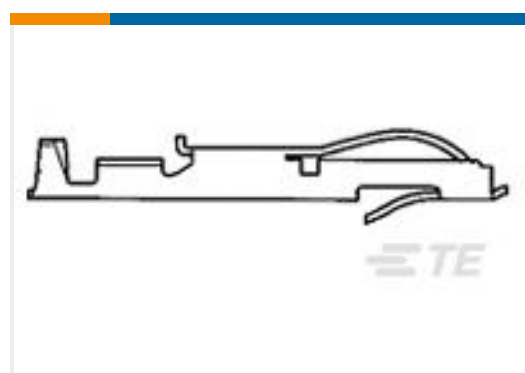
TE Part #3-644042-3
Nylon Gold Plated Receptacle: 2.54 mm, with Mating Alignment, MTA 100



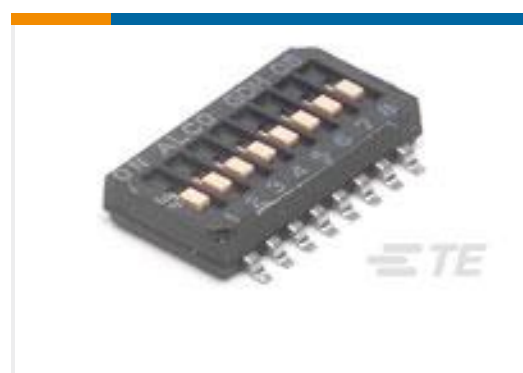
TE Part #63873-1
187 FASTON REC 22-18 AWG TPBR



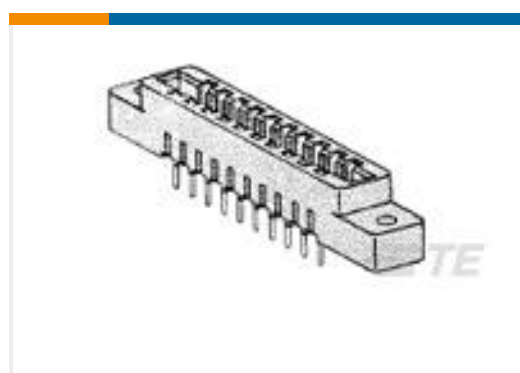
TE Part #3-644615-6
06P MTA156 POL HDR ASSY LF



TE Part #583853-3
TWIN LEAF TERM. STRIP CSTL



TE Part #1571983-9
GDH06STR04=DIP SWITCH



TE Part #7-530655-4
CONN LOW PRO 15 POS 156X200C/L



TE Part #6-1437571-5
TPB11FGPC0=SW P/B MOMENTARY

Documents

Product Drawings

02P MTA100 CONN ASSY 30AU

English

CAD Files

3D PDF



3D

Customer View Model

[ENG_CVM_CVM_644042-2_J_c-644042-2-j.2d_dxf.zip](#)

English

Customer View Model

[ENG_CVM_CVM_644042-2_J_c-644042-2-j.3d_igs.zip](#)

English

Customer View Model

[ENG_CVM_CVM_644042-2_J_c-644042-2-j.3d_stp.zip](#)

English

By downloading the CAD file I accept and agree to the [Terms and Conditions](#) of use.

Product Specifications

[Product Specification](#)

English