

646529-1 ✓ ACTIVE

Z-PACK | Z-PACK 2mm HM

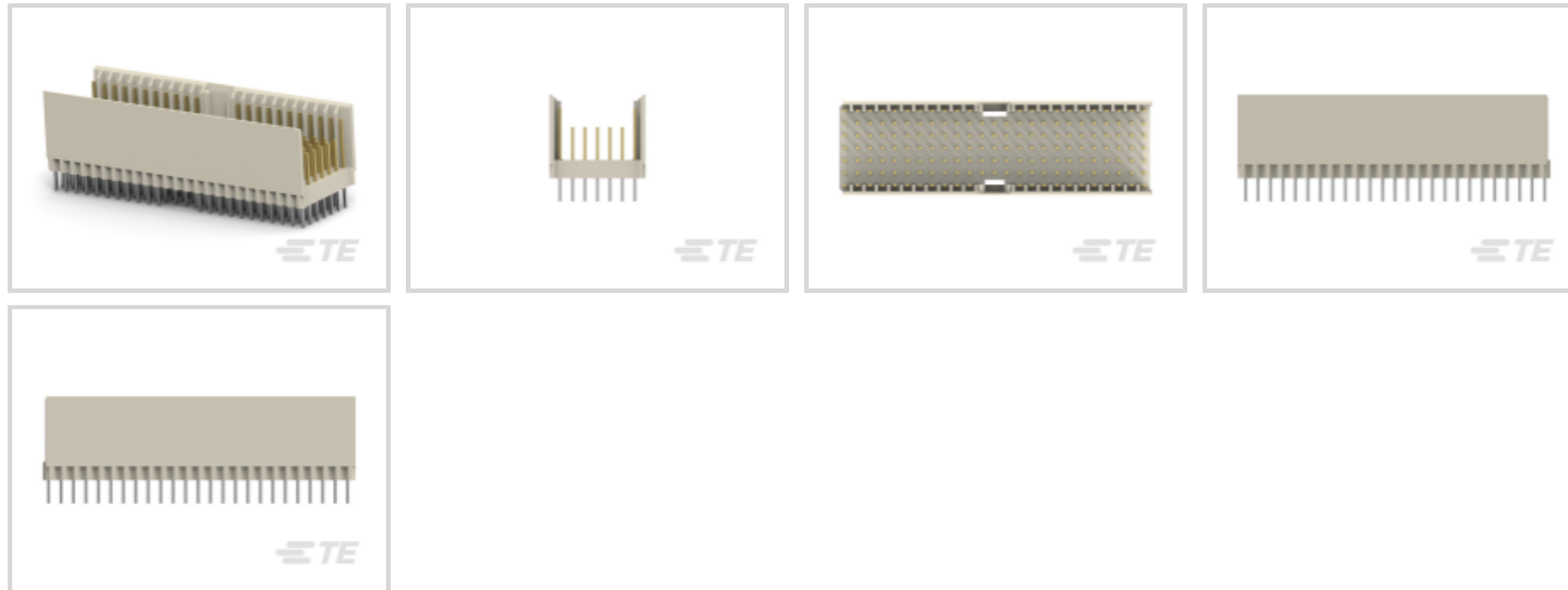
TE Internal #: 646529-1

Hard Metric Backplane Connectors, PCB Mount Header, 1 Gb/s, 25 Column, 7 Row, Traditional Backplane, 169 Position, Z-PACK 2mm HM

[View on TE.com >](#)



Connectors > PCB Connectors > Backplane Connectors > Hard Metric Backplane Connectors



PCB Connector Assembly Type: **PCB Mount Header**

Data Rate: **1 Gb/s**

Number of Columns: **25**

Number of Rows: **7**

Backplane Architecture: **Traditional Backplane**

Features

Product Type Features

PCB Connector Assembly Type	PCB Mount Header
Connector System	Board-to-Board
Sealable	No
Connector & Contact Terminates To	Printed Circuit Board

Configuration Features

Number of Columns	25
Number of Rows	7
Backplane Architecture	Traditional Backplane
Number of Positions	169
PCB Mount Orientation	Vertical

Signal Characteristics

Data Rate	1 Gb/s
-----------	--------

Body Features

Primary Product Color	Gray
-----------------------	------



Contact Features

CompactPCI Designation	None
Contact Underplating Material	Nickel
Contact Base Material	Phosphor Bronze
Contact Mating Area Plating Material	Gold
Contact Mating Area Plating Material Thickness	.38 µm[14.96 µin]
Contact Current Rating (Max)	1.5 A

Mechanical Attachment

Connector Mounting Type	Board Mount
-------------------------	-------------

Housing Features

Housing Material	Glass Filled Polyester
Centerline (Pitch)	2 mm[.079 in]

Usage Conditions

Operating Temperature Range	-55 – 125 °C[-67 – 257 °F]
-----------------------------	----------------------------

Operation/Application

Circuit Application	Signal
---------------------	--------

Industry Standards

UL Flammability Rating	UL 94V-0
------------------------	----------

Packaging Features

Packaging Quantity	10
Packaging Method	Tube

Product Compliance

[For compliance documentation, visit the product page on TE.com>](#)

EU RoHS Directive 2011/65/EU	Not Compliant
EU ELV Directive 2000/53/EC	Compliant with Exemptions
China RoHS 2 Directive MIIT Order No 32, 2016	Restricted Materials Above Threshold
EU REACH Regulation (EC) No. 1907/2006	Current ECHA Candidate List: JAN 2023 (233) Candidate List Declared Against: JAN 2023 (233) SVHC > Threshold: Pb (13% in Component Part) <small>Article Safe Usage Statements:</small>

Do not eat, drink or smoke when using this product. Wash thoroughly after handling. Recycle if possible and dispose of the article by following all applicable governmental regulations relevant to your geographic location.

Halogen Content

Not Low Halogen - contains Br or Cl > 900 ppm.

Solder Process Capability

Not applicable for solder process capability

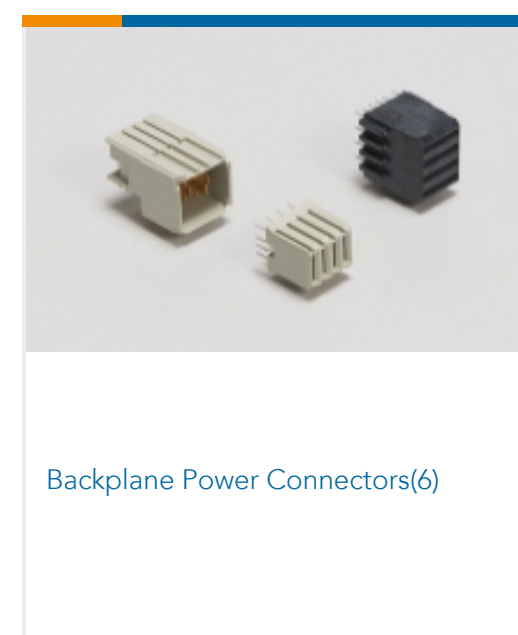
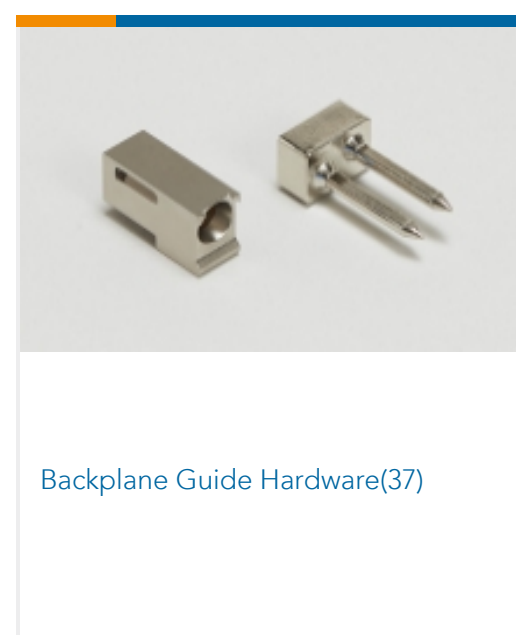
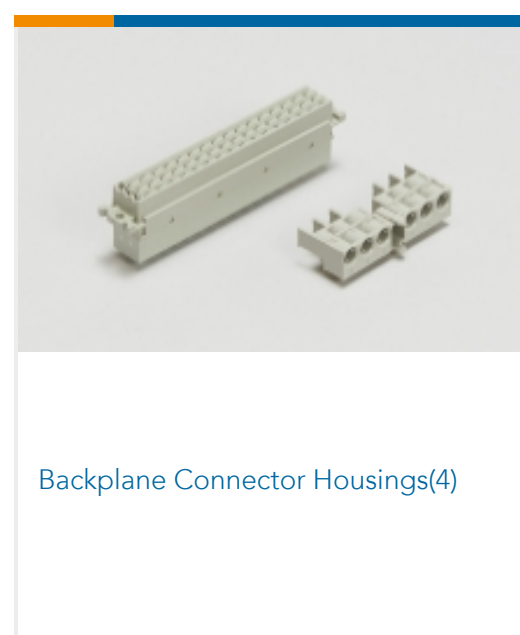
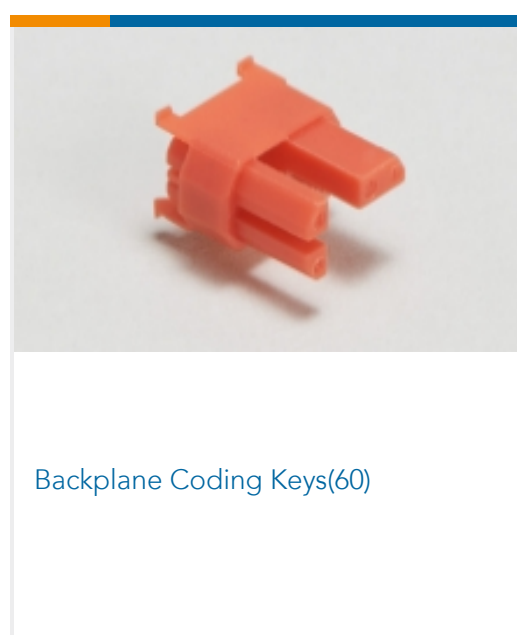
Product Compliance Disclaimer

This information is provided based on reasonable inquiry of our suppliers and represents our current actual knowledge based on the information they provided. This information is subject to change. The part numbers that TE has identified as EU RoHS compliant have a maximum concentration of 0.1% by weight in homogenous materials for lead, hexavalent chromium, mercury, PBB, PBDE, DBP, BBP, DEHP, DIBP, and 0.01% for cadmium, or qualify for an exemption to these limits as defined in the Annexes of Directive 2011/65/EU (RoHS2). Finished electrical and electronic equipment products will be CE marked as required by Directive 2011/65/EU. Components may not be CE marked. Additionally, the part numbers that TE has identified as EU ELV compliant have a maximum concentration of 0.1% by weight in homogenous materials for lead, hexavalent chromium, and mercury, and 0.01% for cadmium, or qualify for an exemption to these limits as defined in the Annexes of Directive 2000/53/EC (ELV). Regarding the REACH Regulation, the information TE provides on SVHC in articles for this part number is based on the latest European Chemicals Agency (ECHA) 'Guidance on requirements for substances in articles' posted at this URL: <https://echa.europa.eu/guidance-documents/guidance-on-reach>

Compatible Parts

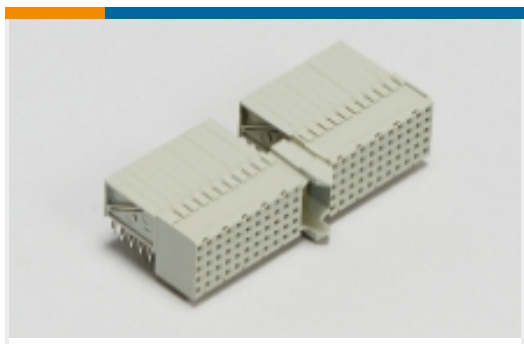


Also in the Series | Z-PACK 2mm HM

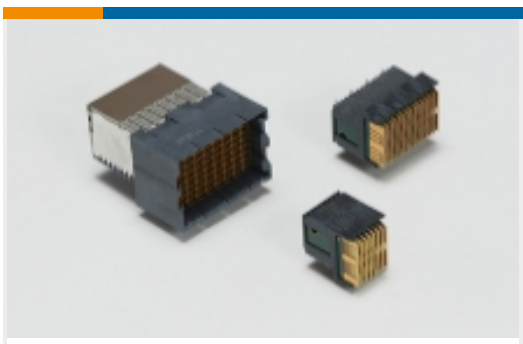




Board-to-Board Connector Contacts(2)



Hard Metric Backplane Connectors (268)



High Speed Backplane Connectors(1)



Insertion & Extraction Tools(2)



PCB Connector Covers(4)



PCB Connector Shrouds(39)

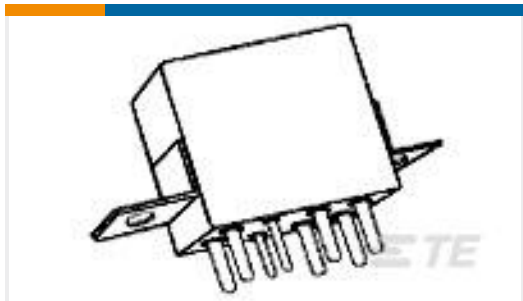


PCB Ferrules & Shields(19)

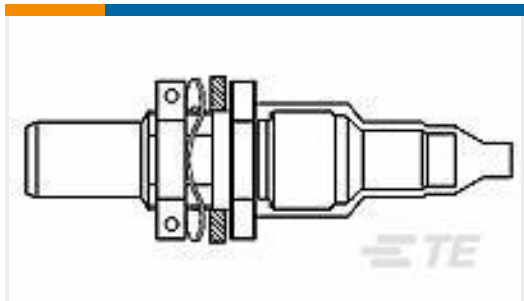


Rectangular Power Connectors(87)

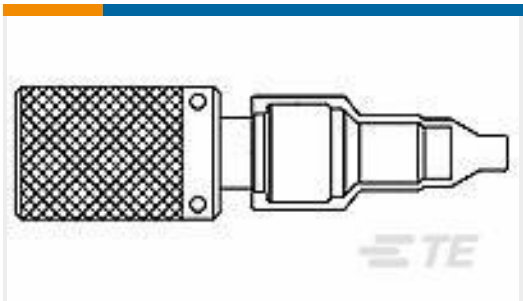
Customers Also Bought



TE Part #4-1617758-7
FCB-205-0222M=M83536/2-022M



TE Part #503123-000
DK-621-0412-S



TE Part #902973-000
DK-621-0411-P



TE Part #6469028-1
HM-ZD 2PR RECP 40P



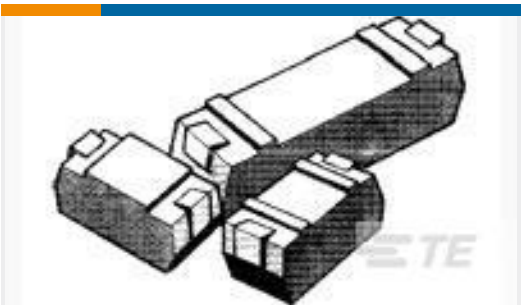
TE Part #6469025-1
HM-ZD 2PR HDR 40P 2.5MM



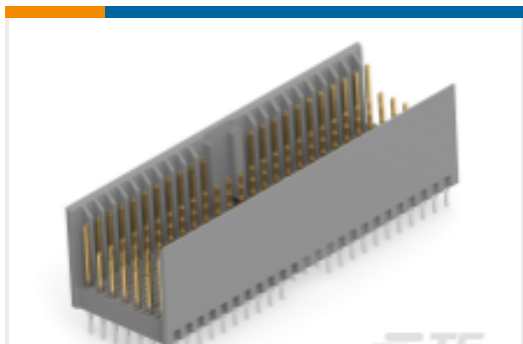
TE Part #1-2314786-2
LUMAWISE N ENHANCED BASE, FM OFF, ZC YES



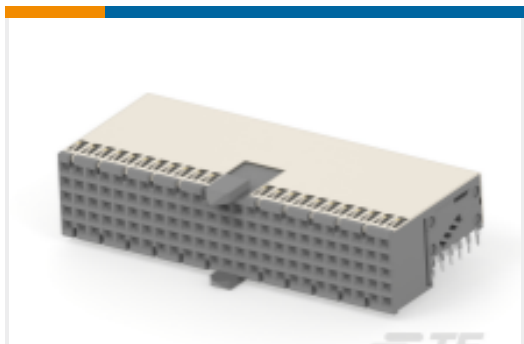
TE Part #YDTS20W11-35PNV001
RECP ASSY



TE Part #1624250-6
CGS SL1 R047 5% TAPED



TE Part #2392188-1
Z-PACK 2MM HM TYPE A/B 169P EON



TE Part #2392865-1
Z-PACK A-B 25 COLUMN SHLD ASSY EON

Documents



Product Drawings

Z-PACK 2MM HM TYPE A/B 169P

English

CAD Files

3D PDF

3D

Customer View Model

[ENG_CVM_CVM_646529-1_B.2d_dxf.zip](#)

English

Customer View Model

[ENG_CVM_CVM_646529-1_B.3d_igs.zip](#)

English

Customer View Model

[ENG_CVM_CVM_646529-1_B.3d_stp.zip](#)

English

By downloading the CAD file I accept and agree to the [Terms and Conditions](#) of use.

Product Specifications

Application Specification

English

Product Environmental Compliance

TE Material Declaration

English