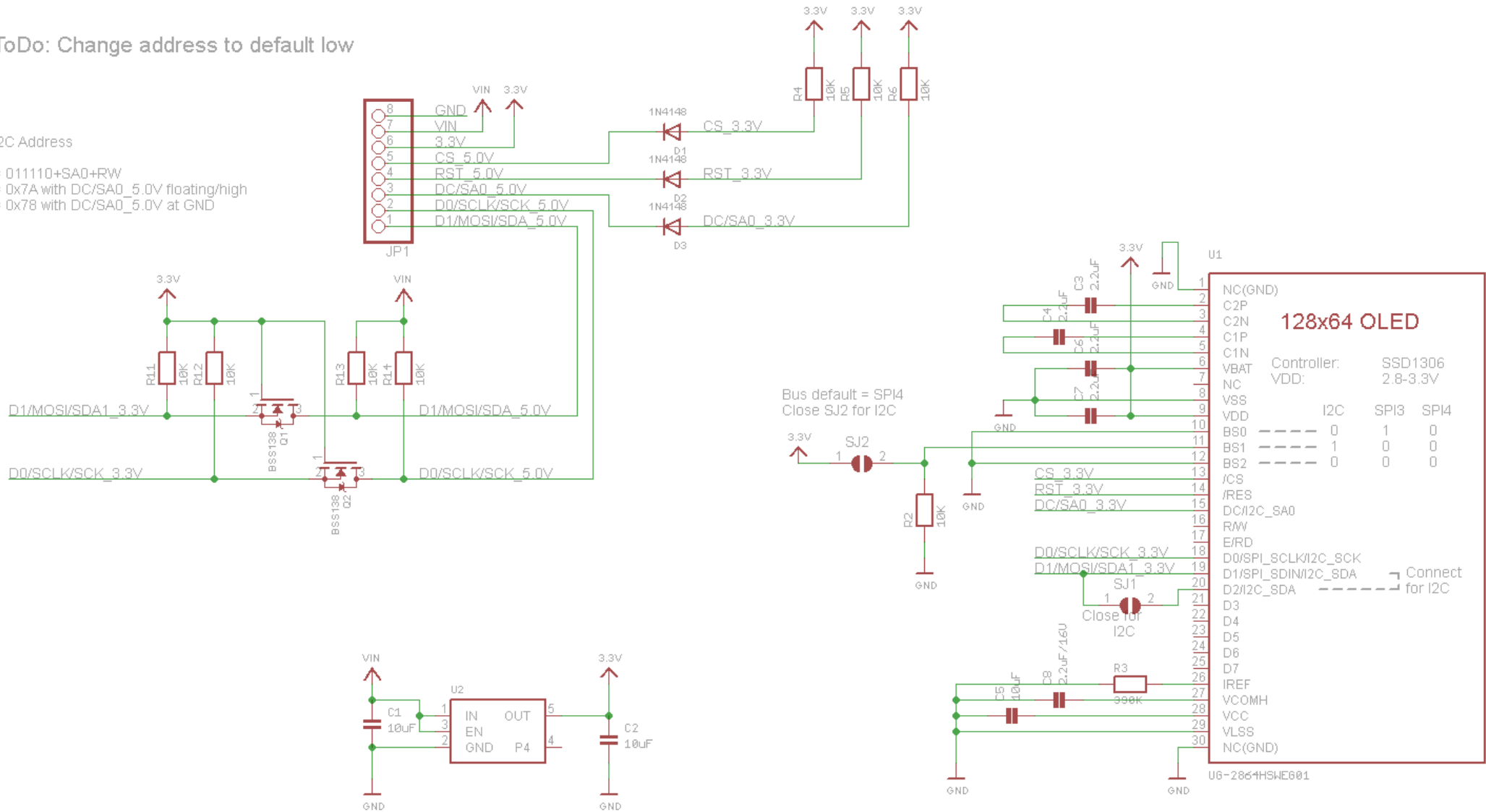


ToDo: Change address to default low

I2C Address

- = 011110+SA0+RW
- = 0x7A with DC/SA0_5.0V floating/high
- = 0x78 with DC/SA0_5.0V at GND



128x64 OLED				
Controller:	SSD1306			
VDD:	2.8-3.3V			
VSS	I2C	SPI3	SPI4	
BS0	---	0	1	0
BS1	---	1	0	0
BS2	---	0	0	0

