

FEATURES

- High Grade Steel
- Two Layer Front Panel
- Powder Coated Enclosure
- Precise Design
- High Quality Manufacturing standard

RS PRO Ventilated Rackmount Enclosure, 3U, 84 HP, Height 132.6mm, 425mm Deep

RS Stock No.: 665-7725



RS Professionally Approved Products bring to you professional quality parts across all product categories. Our product range has been tested by engineers and provides a comparable quality to the leading brands without paying a premium price.

Product Description

Introducing the RS PRO PF19 Rackmount Enclosures, a high quality and heavy-duty electronic enclosure series, suitable for a wide range of uses. Constructed from a mixture of high grade rolled steel and lightweight aluminium panels, these rackmount enclosures offer a sturdy construction and combined with the tough powder-coated finish, provide long-lasting life of the product even in harsh environments. The enclosures are easy to use and assemble, thanks to the precision workmanship and well-engineered design. In addition to this, the high-quality materials that are used to manufacture this RS PRO enclosure offer a strong and aesthetically-pleasing finished product, suitable for a wide range of applications both at home or in industry.

General Specifications

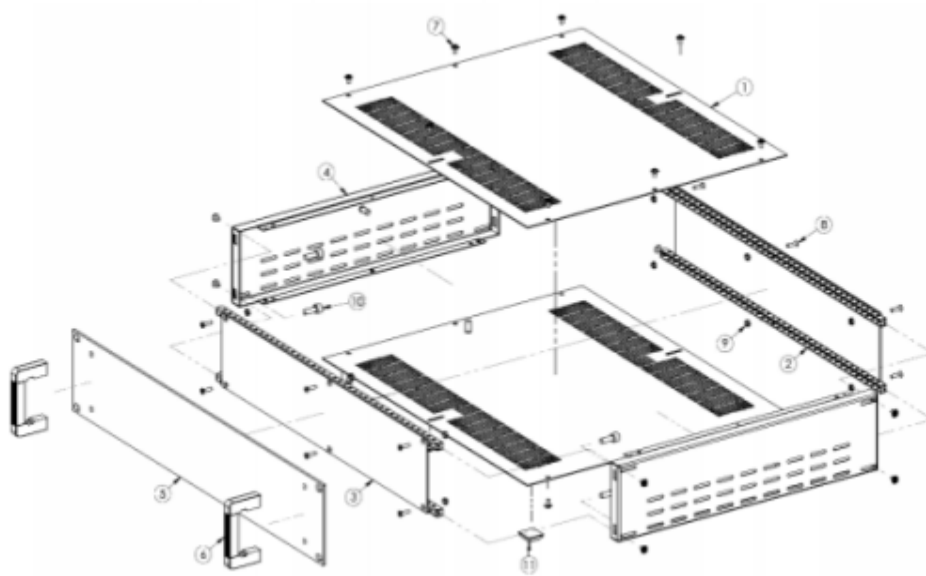
Mounting	Rackmount
Rack Units	3U
Material	Steel
Horizontal Pitch	84HP
Ventilated	Yes
Handles	Yes
Colour	Black
For Use With	In outdoor conditions and exposure to the elements
Rack Size	Half Width
Features	The PF19 enclosure range is available in a wide variety of sizes
Sound Proof	No
Fan Included	No

Mechanical Specifications

Dimension	132.6 x 482.6 x 425mm
Height	132.6mm
Depth	425mm
Width	482.6mm

Approvals

Declarations	RoHS Certificate of Compliance
Standards Met	IEC 297 / EIA RS-310 C1977 / DIN 41494 / ASTM D610-01 / ASTM B117



PF 19 inches Part List :

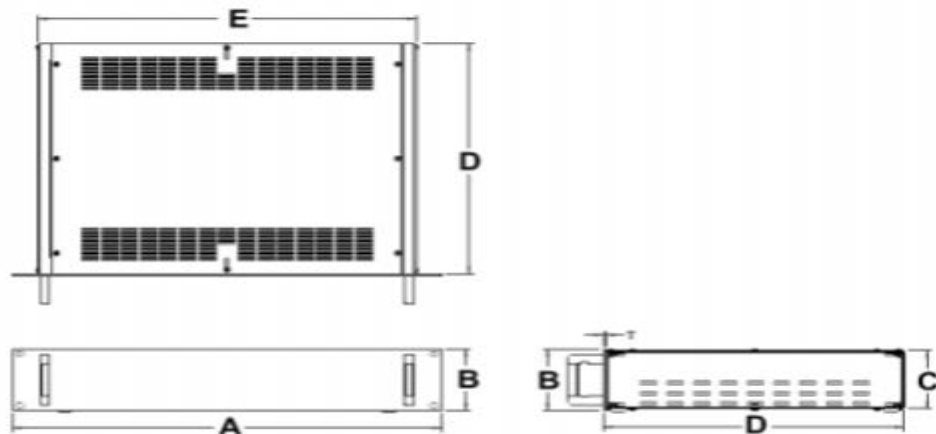
Item	Material	Contents of Kit					
		1U	2U	3U	4U	5U	6U
1. Top / Base Panel	Mild steel 1.2 MM	2	2	2	2	2	2
2. General Purpose Bar (90mm/other models)	Zinc plate steel 0.9 MM	4/8	8	8	8	8	8
3. Inside Front/ Rear Panel	AL (0.9/1.2 MM)	2 (0.9)	2 (0.9)	2(1.2)	2(1.2)	2(1.2)	2(1.2)
4. Side Panel	Mild Steel 0.9 MM	2	2	2	2	2	2
5. Front Panel	AL 3.0 MM	1	1	1	1	1	1
6. Handle	AL extruded	2	2	2	2	2	2
7. Umbrella Phillips screw	M3x6	28	28, 32	16	16	16	16
8. Umbrella Phillips screw	M4x8	-	-	16	16	16	16
9. Flat Head screw	M3x12 with nut	12	12	-	-	-	-
10. Flat Head screw	M3x15	-	-	12	12	12	12
11. Round Head screw	M5x15 with nut	-	4	4	4	4	4
12. Hex screw	M5x15 with nut	4	-	-	-	-	-

Note : Torque 7 in lbs for screw M3
Torque 10 in lbs for screw M4

Available Dimensions :

There are 24 different sizes and configurations which are available in :

- Height : 1.5U to 6U (B)
- Width : 482 (A)
- Depth : 90, 245, 335, 425 and 465 (D)



RS Stock No.	Model	Front Panel (A x B)	Handle Height	Cabinet (E x D x C)
665-7706	1U-D0	483 x 44	25	425x90x39 mm
665-7700	1U-D1	483 x 44	25	425x245x39 mm
665-7719	2U-D1	483 x 88	60	425x245x83 mm
665-7712	2U-D2	483 x 88	60	425x335x83 mm
665-7716	3U-D2	483 x 133	90	425x335x128 mm
665-7725	3U-D3	483 x 133	90	425x425x128 mm
665-7728	4U-D2	483 x 177	130	425x335x172 mm
665-7722	4U-D3	483 x 177	130	425x425x172 mm
665-7731	5U-D3	483 x 222	130	425x425x217 mm
665-7734	6U-D3	483 x 266	130	425x425x261 mm
665-7738	6U-D4	483 x 266	130	425x465x261 mm