



Goobay

Adjustable attenuator 0-20 dB

F male > F female

- adjustable attenuator with DC-pass
- use for absorbing to strong antenna signals order to avoid an over-regulation of the receiver
- frequency range: 0.1 MHz - 2400 MHz; 75 Ohm

67009 Bulk



Goobay

SAT-TV combiner

DC-pass

- to combine the satellite and the terrestrial signals
- input 1: 950 MHz - 2400MHz
- input 2: 0.15 MHz - 860MHz
- 100 dB (suitable for digital TV)

67054 Bulk



Goobay

SAT Attenuator

F male > F female

- attenuation value: 3 | 6 | 10 | 12 | 20 dB
- frequency range: 5 MHz - 2300 MHz
- tolerance: +/- 1.5 dB
- Impedance: 75 Ohm
- DC-pass

3 dB 67150 Bulk

6 dB 67151 Bulk

10 dB 67152 Bulk

12 dB 67153 Bulk

20 dB 67154 Bulk



Goobay

SAT surge protector

for the installation between receiver and LNB

- protects the receiver by overvoltage
- switches automatically from 68 V into the "short circuit"
- break voltage: 68 V
- frequency: 5 MHz - 2400 MHz

67055 Bulk



Goobay

**Mini coaxial cable amplifier
18 dB (DVB-T)**

F male > F female; 5 MHz - 862 MHz

- slim-design thickness as a coaxial cable
- suitable for DVB-T
- water resistant with rubber gasket;
for outdoor mounting
- max. 3.5 dB noise figure
- 75 Ohm

67236 Bulk



Goobay

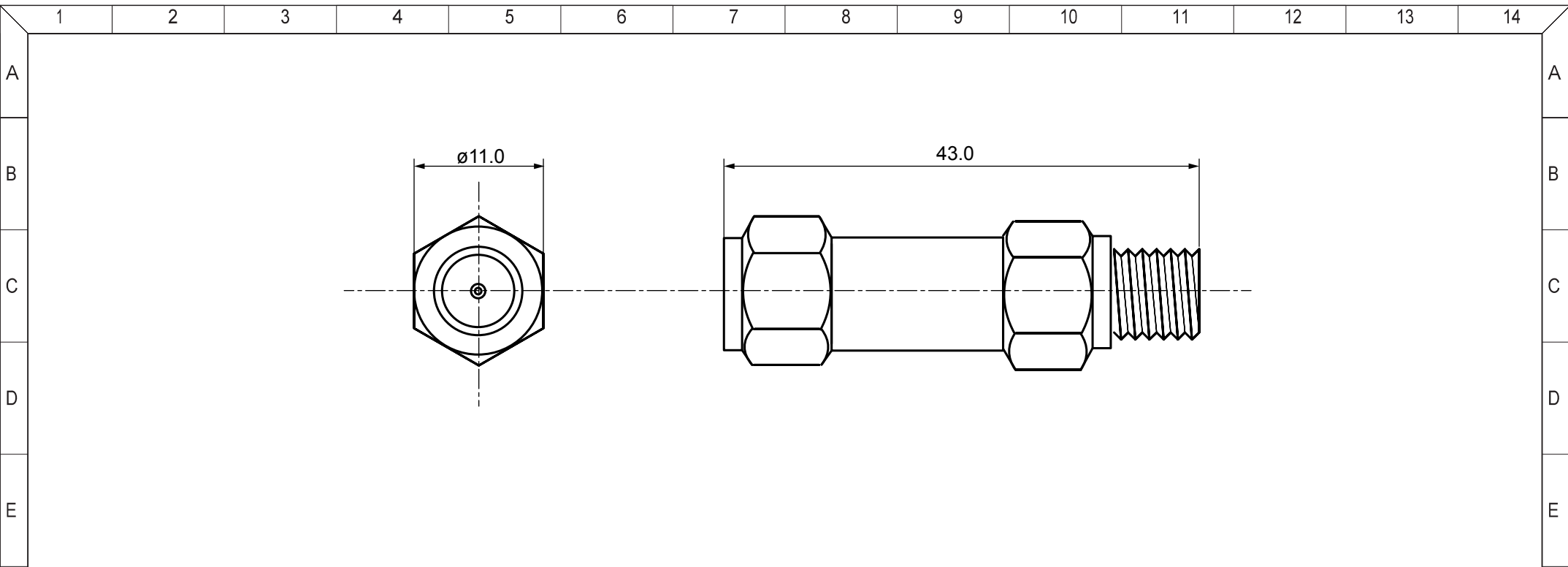
**Mini coaxial cable amplifier
18 dB (DVB-T/SAT)**

F male > F female; 5 MHz - 2300 MHz

- slim-design
- outer diameter similar like coaxial cable
- suitable for DVB-T/SAT
- water resistant with rubber gasket;
for outdoor mounting
- 75 Ohm

67237 Bulk





**Mini Koaxial Kabelverstärker 18dB (DVB-T/SAT)
F-Stecker auf F-Kupplung (5-2300 MHz)**

- super kleine Bauform
- für DVB-T und SAT geeignet
- wasserdicht mit Gummidichtung
- für Außenmontage geeignet
- Frequenzbereich 5-2300 MHz
- Impedanz 75 Ohm
- Rauschmaß max. 5 dB
- Rückflusdämpfung 10 dB
- Verstärkung 18 dB (linear)
- Ausgangspegel max. 100 dBµV
- Versorgungsspannung 5-18 V DC/ 40 mA typ. / 50 mA max. über Receiver
- RoHS-konform

**Mini coaxial cable amplifier 18dB (DVB-T/SAT)
F plug to F jack (5-2300 MHz)**

- slim-design
- suitable for DVB-T/SAT
- water resistant with rubber gasket
- for outdoor mounting
- frequency range 5-2300 MHz
- Impedance 75 Ohms
- Noise figure max. 5 dB
- Return loss 10 dB
- Gain 18 dB (linear)
- Output level max. 100 dBµV
- Power requirement 5-18 V DC/ 40 mA typical / 50 mA max. via receiver
- RoHS compliant

Änderungen		Datum	Name	Bezeichnung	Blatt
Datum	Name	gez.: 06.01.2015	tf	SAT V MINI DVB-T/SAT	
		gepr.: 06.01.2015	tf		
		Norm:		Zeichnungs-Nr.: 67237	von
Änderungen vorbehalten / Subject to change					

