

Completely pre-assembled Signal Towers / RST 56 RST56 Built-In 24V GN/YE/RD/Buzzer



Part No.:	686.373.15
Series:	RST 56



MECHANICAL DATA

Height	209 mm
Diameter	57 mm
Materials	ABS PC
Dome colour	Clear White
Housing colour	Black
Protection category	IP66 IP69K
Connection	M12 socket 5-pole
Type of fixing	Built-in mounting
Working temperature minimum	-30°C
Working temperature maximum	+50°C
Weight with packaging	270.8 g
Product weight	231.8 g

ELECTRICAL DATA

Operating voltage	24V
Operating voltage type	DC
Operating voltage tolerance	+/- 10%
Rated operational voltage	24 VAC
Protection class	Protection class 3
Pollution degree	3

OPTICAL DATA

Light source	LED
Light colour	Green Red Yellow
Optical signal image	Permanent
Service life optical	50,000 h maximum

ACOUSTIC DATA

Volume (max) at 1m distance	90
Acoustic signal image	Continuous tone
Number of tones	1 tone
Audio frequency	2900 Hz

APPROVAL DATA

Conforms with CE	Yes
Conforms with RoHS directive	Yes



For additional installation and mounting information, refer to the appropriate user guide at www.werma.com. This printed copy is for information only and is subject to alteration.

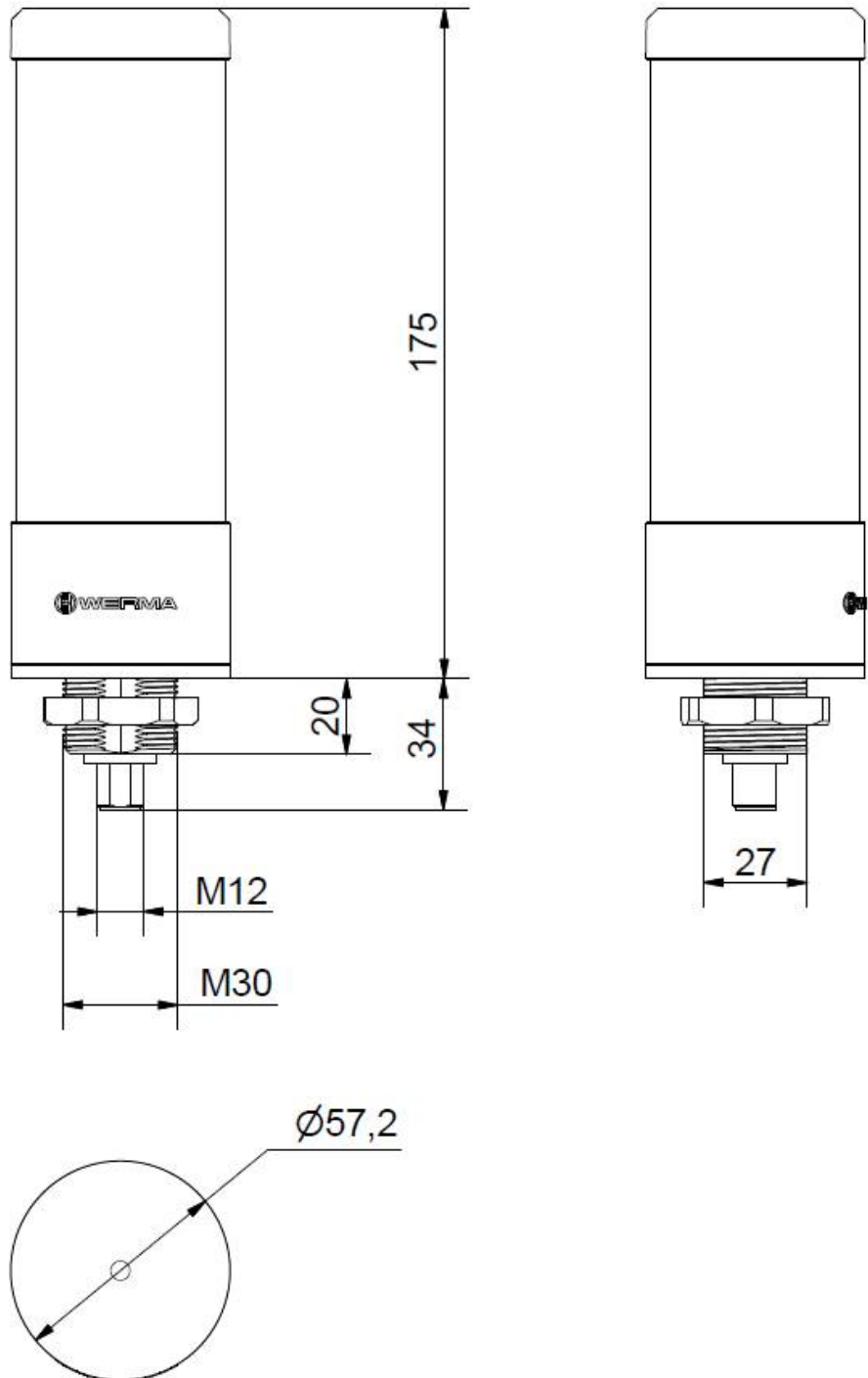
Completely pre-assembled Signal Towers / RST 56 RST56 Built-In 24V GN/YE/RD/Buzzer

WEEE	Yes
Conforms with ATEX-directive	No
Conforms with CCC-Ex	No
Conforms with CCC	No
Conforms with UL	No
Conforms with FCC	No
Conforms with IC	No
EAC certificate available	No
Conforms with UKCA (Importer)	Yes (WERMA (UK) Ltd.)
Conforms with CMIM	No
Conforms with AS-I	No
Conforms with DNV	No
Conforms with RoHS CN	10 years
Conforms with VdS	No

! For additional installation and mounting information, refer to the appropriate user guide at www.werma.com. This printed copy is for information only and is subject to alteration.

Completely pre-assembled Signal Towers / RST 56
RST56 Built-In 24V GN/YE/RD/Buzzer

DRAWING



For additional installation and mounting information, refer to the appropriate user guide at www.werma.com. This printed copy is for information only and is subject to alteration.