

FELLER GMBH

A-2525 GUENSELSDORF, AUSTRIA - TEL.: .. 43(2256) 62 32 50 - FAX: .. 43 (2256) 62 32 57
e-mail: sales@feller-at.com <http://www.feller-at.com>

Description: VIIG-H05VVF3G1,00-C13/ 2,50m

(L64)

Rating of cord set: 10A, 250Vac

1. PLUG: Type VIIG

Molded plug according to : CEE (7) VII, IEC60884
Rated current and voltage : 16A, 250 V AC
Plugbase : thermoplastic Polyester(PBTP) GFR
Construction : double insulated
Pins : brass, nickel-plated, crimped
Pins outer diameter : 4,8 mm
Outer mold : PVC compound, hardness Shore A75-77
Approvals : VDE, ÖVE, CEBEC, KEMA, S, D, N, FI, LCIE, IMQ, UCIEE

2. CORD: Type H05VVF3G1,00mm²

Flexible cord according to : HD 21.S2; AS 3191
Marked : *JF* <ÖVE> <HAR> H05VVF3G1,00mm² *N1095*CE
*CCC 227 IEC 53(RVV) 300/500 3x1,0*VCTF3CX1,0mm²
Number of cores : 3
Conductor construction : 31x0,195 mm O.D. 1,25mm
Conductor insulation : Extruded PVC O.D. 2,40mm
Jacket : Extruded PVC O.D. 6,80mm +/- 0,20mm
Resistance of conductors : max. 19,5 Ω/km
Dielectric strength : 2000 Vac, 1min.
Insulation resistance : 500Vdc > 50Mohms
Color of conductors : yellow/green, brown, blue
Approvals : HARMONIZED, VDE, ÖVE, CEBEC, KEMA, S, D, N, FI, SEV, LCIE, IMQ, BSI, SAA, UCIEE, CCC, KTL

3. CONNECTOR: Type C13

Molded connector according to : EN/IEC 60320/C13, UL 817, C22.2 No. 21, GB17465.1
Rated current and voltage : 10 A, 250 V AC
Construction : double insulation
Contacts of the connection : self-adjusting phosphor bronze CuSn6
Inner insulation : PPO GFR
Outer mold : PVC compound, hardness Shore A 75-77
Approvals : ENEC, SAA, UCIEE, UL, CSA, PSE (JET), CCC

Environmental conformity

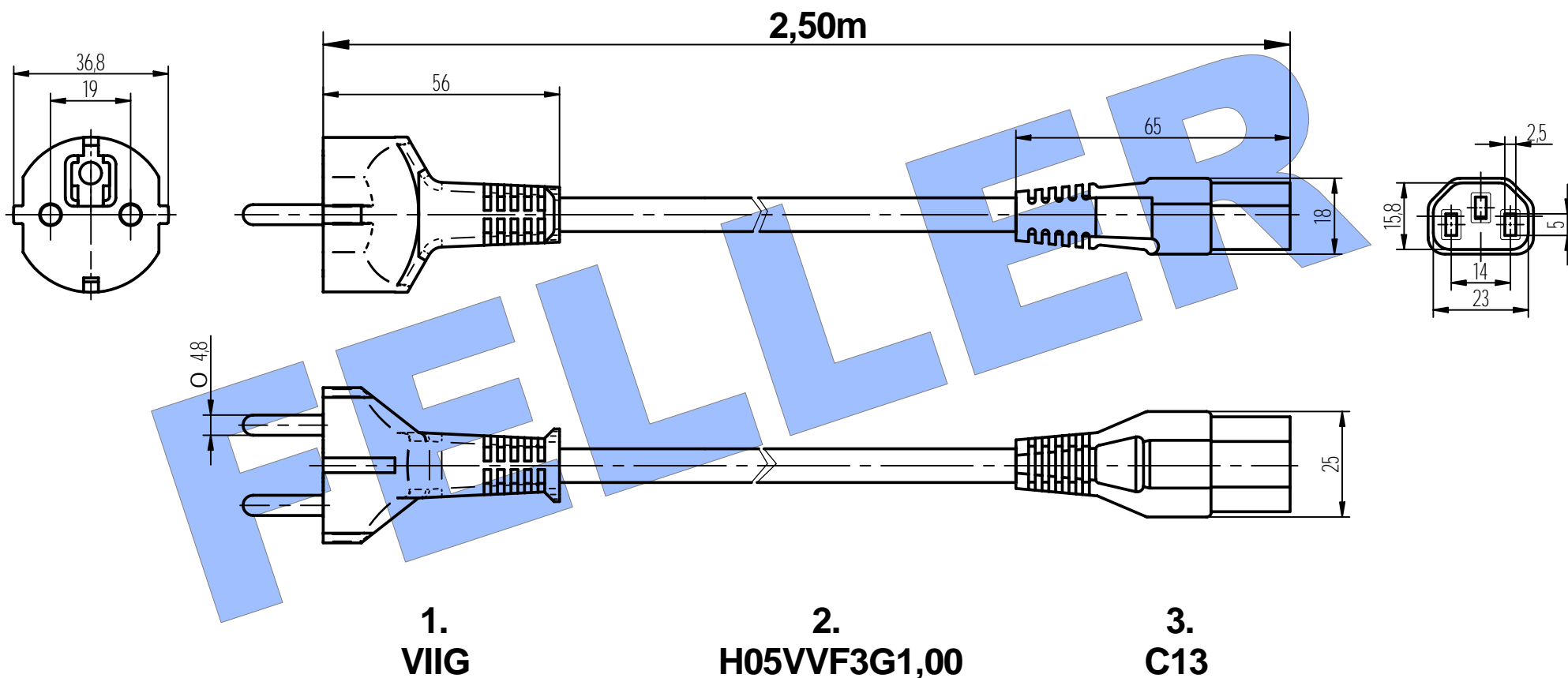
: EU-Directive 2002/96/EC (WEEE)
EU-Directive 2003/11/EC (Council Directive 76/769/EEC)
EU-Directive 2002/95/EC (RoHS-compliant)

TESTING

Electrical testing : 100%
Visual inspection : 100%
High pot test wire to wire : 3.000Vac for 2 sec.
Continuity test : 25Aac to grounding / 20Aac to line and neutral
Polarity test : yes
Skin high pot test : 6.000Vac line to skin

Tolerances not indicated in the drawing: +/- 2 %
design subject to change without prior notice

DATE of ISSUE:	July, 2005		
REV: 1	1	ORIG:	mk



Feller Type: VIIG-H05VVF3G1,00-C13 / 2,50m

RoHS compliant

21.06.05

All dimensions in mm

FELLER 

A-2525 Günselsdorf, Austria

Telefon 0043-2256-62325-0

Fax:0043-2256-62325-7

email: sales@feller-at.com

http://www.feller-at.com