

# Thermal device circuit breaker - TCP 1A



0712194

<https://www.phoenixcontact.com/gb/products/0712194>

Please be informed that the data shown in this PDF document is generated from our Online Catalog. Please find the complete data in the user documentation. Our General Terms of Use for Downloads are valid.



Thermal miniature circuit breaker, pluggable in screw-type fuse terminal block UK 6-FSI/C and spring-cage fuse terminal block ST 4-FSI/C

## Your advantages

- Fast, replacement part-free recommissioning after an event with the reconnection options
- Easy to retrofit in existing systems with vehicle flat-type fuses with identical pin connector pattern
- System disconnection for maintenance actions via the integrated device switch

## Commercial Data

Item number	0712194
Packing unit	20 pc
Minimum order quantity	1 pc
Sales Key	CLA111
Product Key	CLA111
Catalog Page	Page 401 (C-4-2019)
GTIN	4017918848354
Weight per Piece (including packing)	11.151 g
Weight per Piece (excluding packing)	11.1 g
Customs tariff number	85362010
Country of origin	ID

# Thermal device circuit breaker - TCP 1A



0712194

<https://www.phoenixcontact.com/gb/products/0712194>

## Technical Data

### Notes

General	When mounted in rows, the nominal device current can be limited to just 80% or must be overdimensioned accordingly.
---------	---

### Product properties

Type	Male
Product type	Thermal device circuit breakers
Number of positions	1
No. of channels	1

### Insulation characteristics

Overvoltage category	II
Degree of pollution	2

### Electrical properties

No. of channels	1
Fuse type	Automatic device
Fuse	Slow-blow

### General

Rated voltage	250 V AC
	65 V DC
	250 V (AC according to UL 1077)
	72 V (DC according to UL 1077)
Rated current $I_N$	1 A
Rated surge voltage	2.5 kV
Insulation resistance $R_{iso}$	> 100 M $\Omega$ (500 V DC)
Tripping method	T (thermal)
Device resistance	1 $\Omega$
Rated short-circuit switching capacity $I_{cn}$	6 A (250 V AC / 65 V DC)
	10 A (30 V DC)
Short-circuit switching capacity	2000 A (250 V AC / UL 1077)
	2000 A (72 V DC / UL 1077)
Dielectric strength	3000 V AC (Actuation area)
	1500 V AC (Installation area)
Switching cycles, max.	6000 (At 1 x $I_n$ , low-induction)
	3000 (At 1 x $I_n$ , inductive)
	500 (At 2 x $I_n$ , inductive)

### Connection data

Nominal current	1 A
Nominal voltage	250 V AC
	65 V DC

# Thermal device circuit breaker - TCP 1A



0712194

<https://www.phoenixcontact.com/gb/products/0712194>

## Dimensions

Dimensional drawing	
Width	8.2 mm
Width	8.2 mm
Height	24.4 mm
Height	24.4 mm
Height NS 35/7,5	55 mm
Depth	44.5 mm
Depth	44.5 mm

## Material specifications

Color	black
Flammability rating according to UL 94	V0
Insulating material group	IIIb
Insulating material	PPS

## Mechanical properties

### Mechanical data

Open side panel	No
-----------------	----

## Environmental and real-life conditions

### Ambient conditions

Degree of protection	IP40 (Actuation area)
Ambient temperature (operation)	-20 °C ... 60 °C
Altitude	4000 m
Humidity test	240 h, 95 % RH, 40 °C

## Standards and regulations

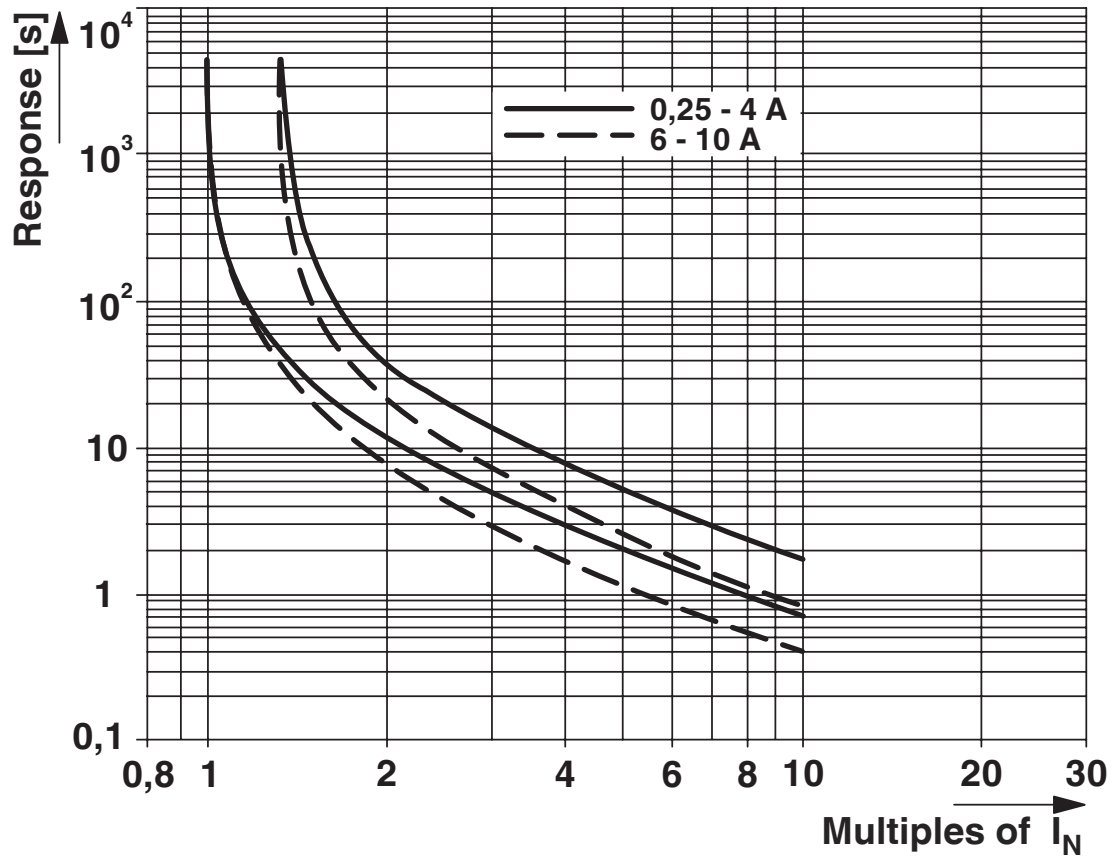
Standards/specifications	EN 60934
--------------------------	----------

## Mounting

Mounting type	on base element
---------------	-----------------

## Drawings

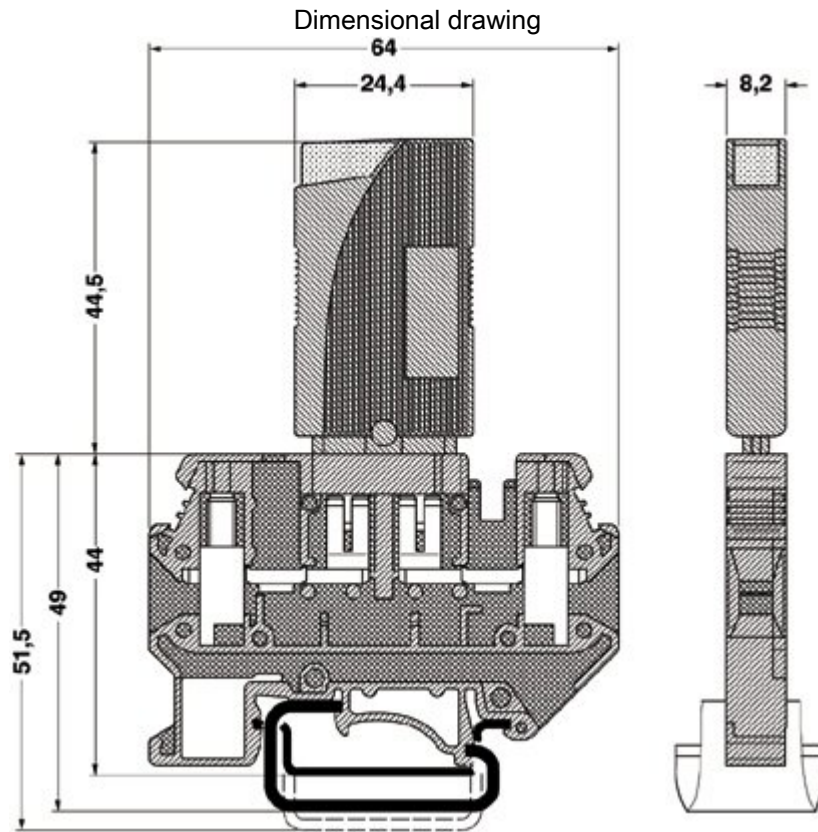
Diagram



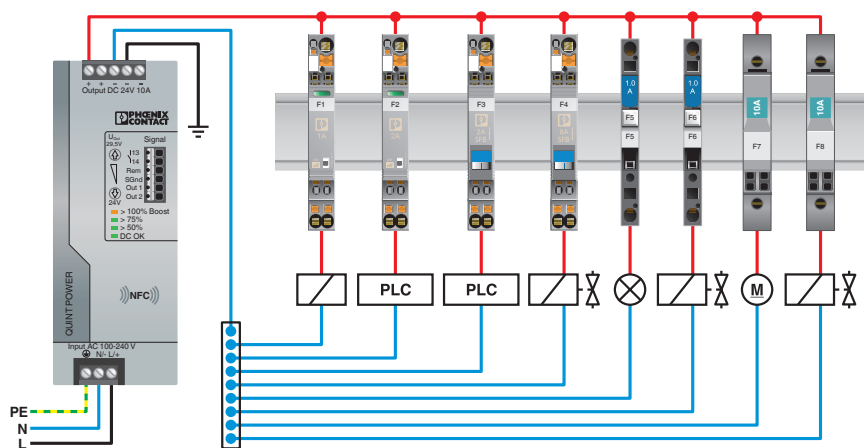
# Thermal device circuit breaker - TCP 1A

0712194

<https://www.phoenixcontact.com/gb/products/0712194>



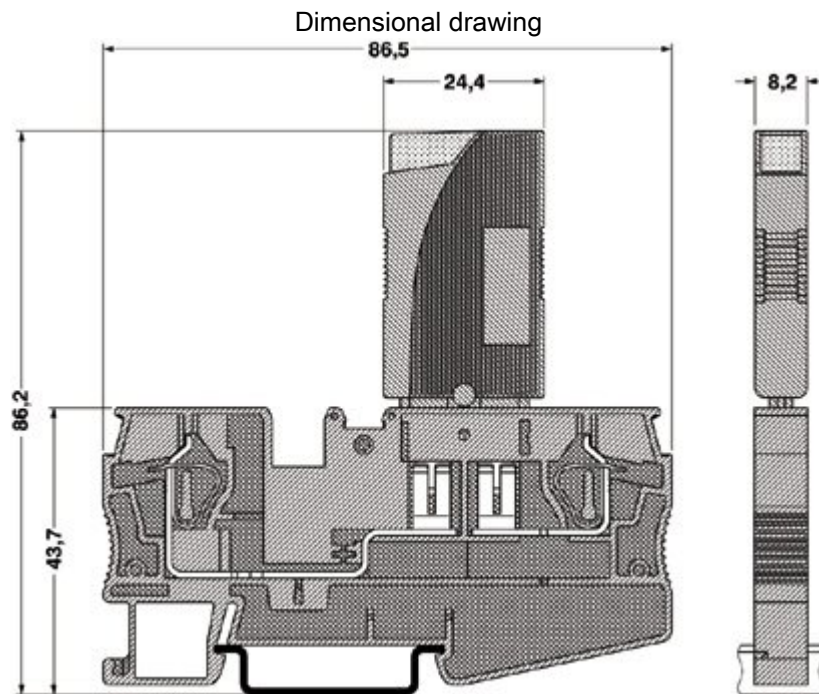
Application drawing



# Thermal device circuit breaker - TCP 1A

0712194

<https://www.phoenixcontact.com/gb/products/0712194>



# Thermal device circuit breaker - TCP 1A

0712194

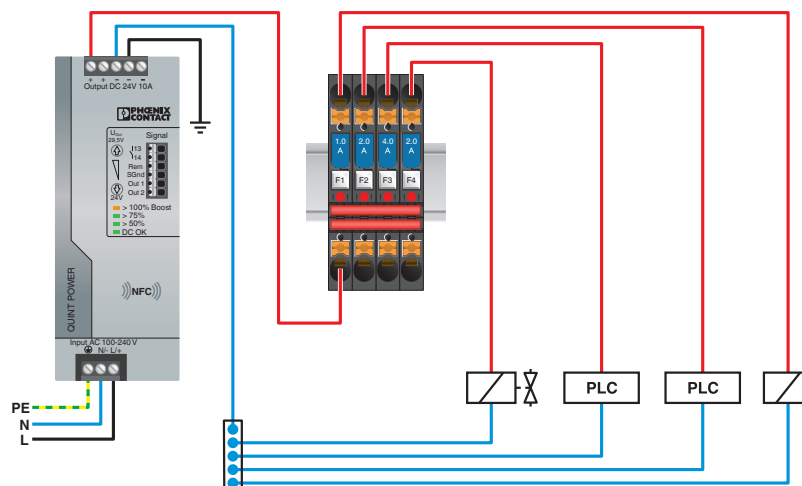
<https://www.phoenixcontact.com/gb/products/0712194>

Product drawing



The figure shows the product with the base element PT 6-FSI/C-LED 24 (Item No.: 3212172).

Application drawing

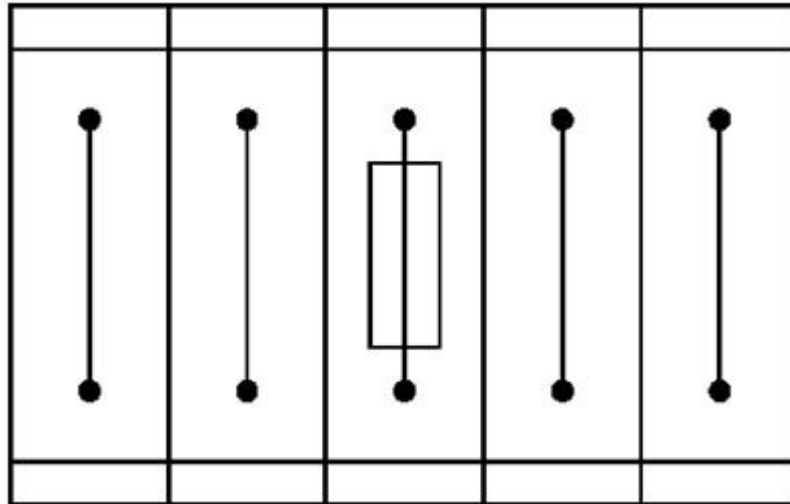


# Thermal device circuit breaker - TCP 1A

0712194

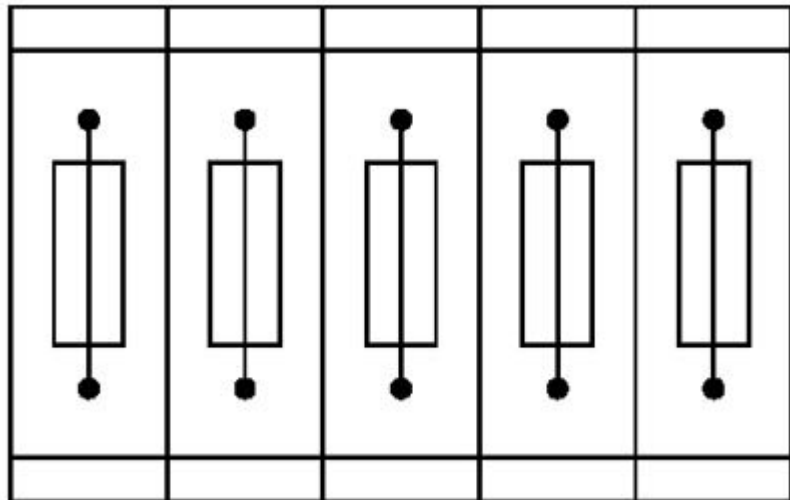
<https://www.phoenixcontact.com/gb/products/0712194>

Application drawing



Fuse terminal block in single arrangement,  
block consisting of one fuse terminal block and 4 feed-through terminal blocks

Application drawing



Fuse terminal blocks in interconnected arrangement,  
block consisting of 5 fuse terminal blocks




# Thermal device circuit breaker - TCP 1A





0712194


<https://www.phoenixcontact.com/gb/products/0712194>

## Approvals

 <b>CSA</b> Approval ID: 074317				
	Nominal Voltage $U_N$	Nominal Current $I_N$	Cross Section AWG	Cross Section $\text{mm}^2$
	250 V	1 A	-	-


 <b>cUL Recognized</b> Approval ID: FILE E 140459
---

 <b>UL Recognized</b> Approval ID: FILE E 140459
--

 <b>EAC</b> Approval ID: EAC-Zulassung
---

 <b>EAC</b> Approval ID: RU C-DE.A*30.B01546
--

 <b>VDE Zeichengenehmigung</b> Approval ID: 40034332
--

 <b>CCC</b> Approval ID: 2019010307241945
---

<b>cULus Recognized</b>
-------------------------

# Thermal device circuit breaker - TCP 1A



0712194

<https://www.phoenixcontact.com/gb/products/0712194>

## Classifications

### ECLASS

ECLASS-9.0	27141116
ECLASS-10.0.1	27141116
ECLASS-11.0	27141116

### ETIM

ETIM 8.0	EC000899
----------	----------

### UNSPSC

UNSPSC 21.0	39121400
-------------	----------

# Thermal device circuit breaker - TCP 1A



0712194

<https://www.phoenixcontact.com/gb/products/0712194>

## Environmental Product Compliance

China RoHS	Environmentally friendly use period: unlimited = EFUP-e
	No hazardous substances above threshold values

0712194

<https://www.phoenixcontact.com/gb/products/0712194>

## Accessories

### Flat zack marker sheet

Flat zack marker sheet - ZBFM 5/WH:UNBEDRUCKT - 0803595

<https://www.phoenixcontact.com/gb/products/0803595>

Flat zack marker sheet, Sheet, white, unlabeled, can be labeled with: CMS-P1-PLOTTER, PLOTMARK, mounting type: snapped, for terminal block width: 5.2 mm, lettering field size: 5 x 4.5 mm, Number of individual labels: 120



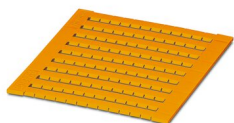
---

### Flat zack marker sheet

Flat zack marker sheet - ZBFM 5/OG:UNBEDRUCKT - 0807180

<https://www.phoenixcontact.com/gb/products/0807180>

Flat zack marker sheet, Sheet, orange, unlabeled, can be labeled with: CMS-P1-PLOTTER, PLOTMARK, mounting type: snap in, for terminal block width: 5.2 mm, lettering field size: 5 x 4.5 mm, Number of individual labels: 120



# Thermal device circuit breaker - TCP 1A

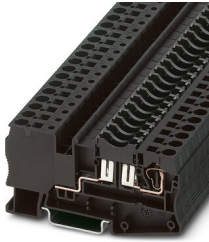
0712194

<https://www.phoenixcontact.com/gb/products/0712194>

## Fuse modular terminal block

Fuse modular terminal block - ST 4-FSI/C - 3036372

<https://www.phoenixcontact.com/gb/products/3036372>



Fuse modular terminal block, fuse type: Flat, fuse type: C, nom. voltage: 400 V, nominal current: 30 A, connection method: Spring-cage connection, 1 level, Rated cross section: 4 mm<sup>2</sup>, cross section: 0.08 mm<sup>2</sup>- 6 mm<sup>2</sup>, mounting type: NS 35/7,5, NS 35/15, color: black

---

## Fuse modular terminal block

Fuse modular terminal block - ST 4-FSI/C-LED 12 - 3036495

<https://www.phoenixcontact.com/gb/products/3036495>



Fuse terminal block with LED for mounting on NS 35, for miniature circuit breakers, terminal width: 8.2 mm, color: Black

# Thermal device circuit breaker - TCP 1A

0712194

<https://www.phoenixcontact.com/gb/products/0712194>

## Fuse modular terminal block

Fuse modular terminal block - ST 4-FSI/C-LED 24 - 3036505

<https://www.phoenixcontact.com/gb/products/3036505>



Fuse terminal block with LED for mounting on NS 35, for miniature circuit breakers, terminal width: 8.2 mm, color: Black

---

## Fuse modular terminal block

Fuse modular terminal block - UK 6-FSI/C - 3118203

<https://www.phoenixcontact.com/gb/products/3118203>



Flat-type fuse terminal block, cross section: 0.2 - 6 mm<sup>2</sup>, AWG: 26 - 8, width: 8.2 mm, color: black

# Thermal device circuit breaker - TCP 1A

0712194

<https://www.phoenixcontact.com/gb/products/0712194>

## Fuse modular terminal block

Fuse modular terminal block - UK 6-FSI/C-LED12 - 3001925

<https://www.phoenixcontact.com/gb/products/3001925>



Flat-type fuse terminal block, cross section: 0.2 - 6 mm<sup>2</sup>, AWG: 26 - 8, width: 8.2 mm, color: black, with light indicator, voltage light indicator: 12 V DC, current light indicator: 2 mA

---

## Fuse modular terminal block

Fuse modular terminal block - UK 6-FSI/C-LED24 - 3001938

<https://www.phoenixcontact.com/gb/products/3001938>



Flat-type fuse terminal block, cross section: 0.2 - 6 mm<sup>2</sup>, AWG: 26 - 8, width: 8.2 mm, color: black, with light indicator, voltage light indicator: 24 V DC, current light indicator: 2 mA

# Thermal device circuit breaker - TCP 1A

0712194

<https://www.phoenixcontact.com/gb/products/0712194>

## Fuse modular terminal block

Fuse modular terminal block - PT 6-FSI/C - 3212166

<https://www.phoenixcontact.com/gb/products/3212166>



Fuse modular terminal block, fuse type: Flat, fuse type: Type C / max. 2.2 W, nom. voltage: 400 V, nominal current: 25 A, connection method: Push-in connection, Rated cross section: 6 mm<sup>2</sup>, cross section: 0.5 mm<sup>2</sup>- 10 mm<sup>2</sup>, mounting type: NS 35/7,5, NS 35/15, color: black

---

## Fuse modular terminal block

Fuse modular terminal block - PT 6-FSI/C-LED 12 - 3212169

<https://www.phoenixcontact.com/gb/products/3212169>



Fuse modular terminal block, fuse type: Flat, fuse type: Type C / max. 2.2 W, nom. voltage: 12 V, nominal current: 25 A, connection method: Push-in connection, Rated cross section: 6 mm<sup>2</sup>, cross section: 0.5 mm<sup>2</sup>- 10 mm<sup>2</sup>, mounting type: NS 35/7,5, NS 35/15, color: black



# Thermal device circuit breaker - TCP 1A



0712194

<https://www.phoenixcontact.com/gb/products/0712194>

## Fuse modular terminal block

Fuse modular terminal block - PT 6-FSI/C-LED 24 - 3212172

<https://www.phoenixcontact.com/gb/products/3212172>



Fuse modular terminal block, fuse type: Flat, fuse type: Type C / max. 2.2 W, nom. voltage: 24 V, nominal current: 25 A, connection method: Push-in connection, Rated cross section: 6 mm<sup>2</sup>, cross section: 0.5 mm<sup>2</sup>- 10 mm<sup>2</sup>, mounting type: NS 35/7,5, NS 35/15, color: black

---

## Fuse modular terminal block

Fuse modular terminal block - PT 6-FSI/C-LED 48 - 3212175

<https://www.phoenixcontact.com/gb/products/3212175>



Fuse modular terminal block, fuse type: Flat, fuse type: Type C / max. 2.2 W, nom. voltage: 48 V, nominal current: 25 A, connection method: Push-in connection, Rated cross section: 6 mm<sup>2</sup>, cross section: 0.5 mm<sup>2</sup>- 10 mm<sup>2</sup>, mounting type: NS 35/7,5, NS 35/15, color: black

---

Phoenix Contact 2022 © - all rights reserved  
<https://www.phoenixcontact.com>

PHOENIX CONTACT Ltd  
Halesfield 13, Telford  
Shropshire, TF7 4PG  
01952 681700  
[info@phoenixcontact.co.uk](mailto:info@phoenixcontact.co.uk)