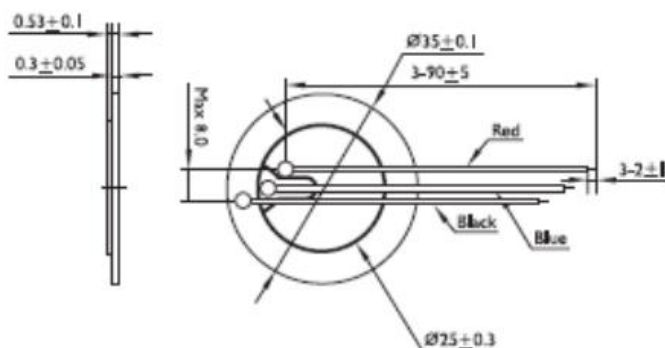


Datasheet

Diaphragm External Piezo Buzzer

RS Stock number [724-3166](#)

Dimensions: (mm)



Features:

- Stainless steel piezo element with ceramic disc
- With feedback (blue fitted lead)
- Fitted with 90mm wire leads

All data at 25°C unless otherwise specified.

SPECIFICATIONS	Piezo Element with Leads
Operating Voltage (square wave)	1-30Vp-p
Resonant Frequency	2900±500Hz
Resonant Impedance	≥200Ω
Capacitance	25000 ± 30%pF
Plate Material	Stainless steel
Lead Wire	UL1571 AWG30
Operating Temperature	-20 ~ +60 °C
Storage Temperature	-30 ~ +70 °C
Lead Length	90mm
Dimensions:	
D±0.1	35mm
d±0.3	25mm
t±0.02	0.30mm
T±0.1	0.53mm