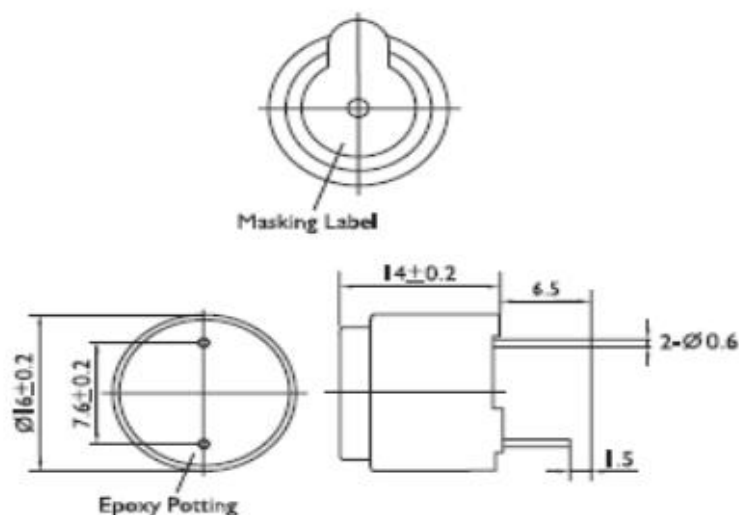


Datasheet

8V dc PCB Mount Electromagnetic Buzzer 85dB Continuous

RS Stock number [724-3175](#)

Dimensions: (Unit: mm; Tolerance: ± 0.5 m)



Features:

- Colour: Black
- Housing material: Noryl
- Sealed base
- Wave solderable and washable
- Internal drive circuit

All data at 25°C unless otherwise specified.

SPECIFICATIONS	Electro Mechanical Indicator
Operating Voltage	4-8VDC
Rated voltage	6VDC
Rated Current at rated voltage Max	25mA
Sound Output at 20cm, at rated voltage	≥ 85 dB
Resonant Frequency	2300 \pm 500Hz
Tone	Continuous
Operating Temperature	-20 ~ +70°C
Storage Temperature	-30 ~ +80°C
Weight	7g