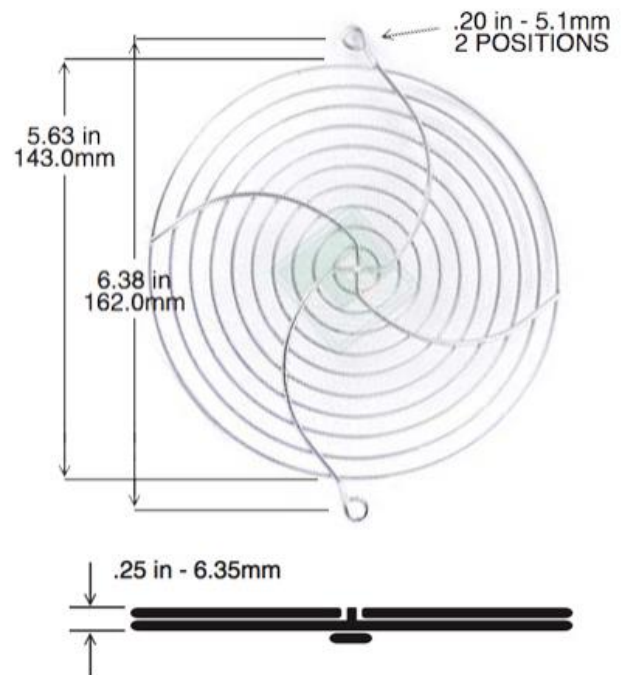


Datasheet

Finger Guard 172mm Steel

RS Stock number 737-4018

Dimensions: (mm)



Specification

PART NO. G172-10LN

WIRE DIAMETER

RING DIA: 1.6mm

RIB DIA: 2.0mm

FINISH: BRIGHT NICKEL CHROME

LOWER NOISE

PART NO. G172-10LN/PK

10-PACK G172-10LN GUARDS, BOXED

NOTES:

1. MATERIAL: C1008
BRIGHT BASIC WIRE

2. WELD JOINTS TO
WITHSTAND 88LBS
PULL FORCE

3. GENERAL TOLER-
ANCE UNLESS NOTED +/-
0.5mm

4. PART MEETS 6.35mm
PLUG GAUGE TEST