



ENGLISH

Datasheet

RS Pro Finger Guard 80mm, 80 x 80mm PBT

RS Stock No: **737-4042**



Product Details

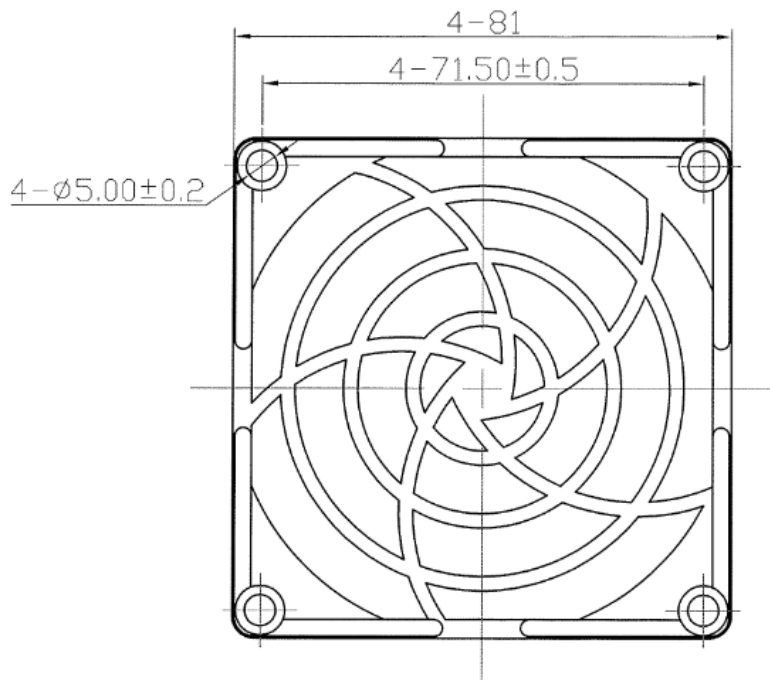
RS Pro finger guard measures 80 x 80 mm and has PBT construction. This finger guard is suitable for use with axial fans with a frame size ranging from 40 to 172 mm.

Features and Benefits

- Fits 80 mm fan size
- PBT construction
- 80 x 80 mm

Specifications:

External Dimensions	81 x 81 mm
External Height	81 mm
External Width	81 mm
Fan Size	80 mm
Material	ABS
Screw Hole Spacing	71.5 mm



Material
 Plastic - reinforced ABS
 UL approved
 Rating UL94V-0

