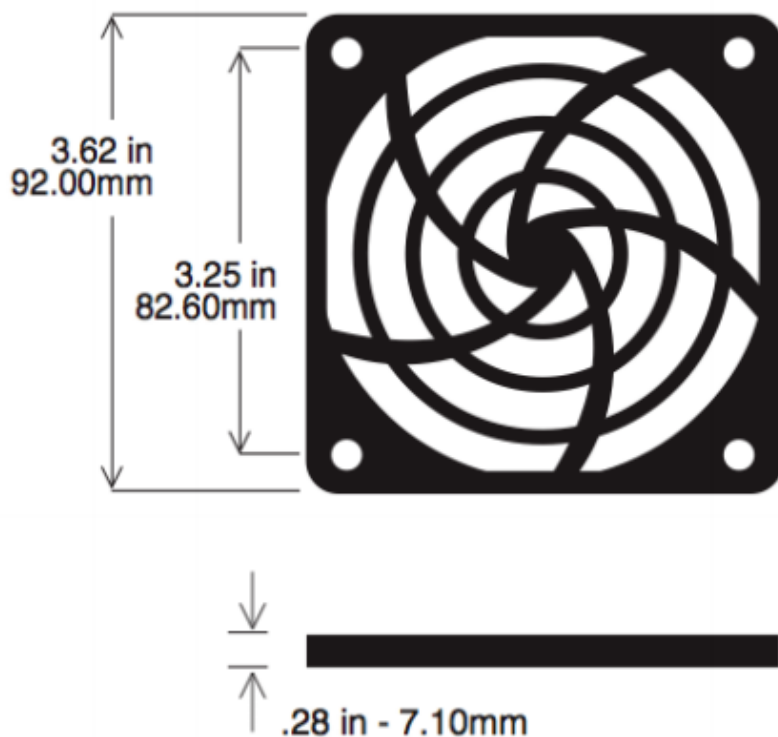


Datasheet

Finger Guard 92mm, 92 x 92mm PBT

RS Stock number 737-4046

Dimensions: (mm)



Material

Plastic - reinforced ABS
UL approved
Rating UL94V-O