

## FEATURES

- High voltage response
- Low self-discharge rate
- Ease of use
- Wide operating temperature range
- Long storage and operational life

# RS PRO Alkaline 1.5V N Batteries

RS Stock No.: 749- 2623



RS Professionally Approved Products bring to you professional quality parts across all product categories. Our product range has been tested by engineers and provides a comparable quality to the leading brands without paying a premium price.

## Product Description

A 1.5V N-size 900mAh Alkaline Manganese Dioxide battery from RS Pro. This battery is a non-standard size N battery designed for reliability in specialist applications such as flashlights, remote controls, garage door, cigarette lighters, photographic equipment, wireless microphones, laser pointers, etc. With a wide temperature operating range, and long shelf life can be an ideal choice for any household or professional applications that require this special N battery size.

## General Specifications

<b>Brand Range</b>	RS PRO
<b>Terminal Type</b>	Standard
<b>Shelf Life</b>	36 Months
<b>Colour</b>	Red
<b>Application</b>	Remote Controls, Wireless microphones, Laser pointers, Photographic Equipment, Memory Backups, Wall Clocks, Automotive Electronics, Professional Electronics

## Electrical Specifications

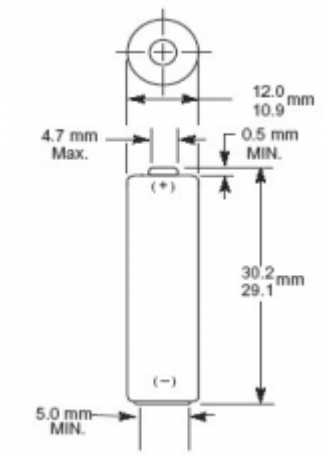
<b>Size</b>	N
<b>Chemistry</b>	Alkaline
<b>Nominal Voltage</b>	1.5V
<b>Capacity</b>	900mAh

## Mechanical Specifications

<b>Dimensions</b>	12mm x 30.2mm
<b>Weight</b>	9 ± 0.5g

## Approvals

<b>Compliance/Certifications</b>	2011/65/EU and 2015/863
----------------------------------	-------------------------



Discharges					
Test condition			Average duration <sup>1)</sup> at 20°C		
Load	Daily period	End voltage	Initial	After 12 months storage <sup>2)</sup>	After 36 months storage <sup>2)</sup>
300Ω	24 h/d	0.9V	220.0 h	195.0 h	176.0h
20Ω	24 h/d	0.9V	11.8h	10.2 h	9.4 h
5.1Ω	24 h/d	0.9V	2.5 h	2.1 h	1.9h

- 1) Average service life will be calculated without the highest and the lowest of 9 samples.
- 2) Storage conditions: Temperature 20 ± 2 °C and the Relative Humidity shall be 65 ± 20%

DESCRIPTION	AQL
Battery dimensions	0.65%
Appearance	1.00%
Off load voltage	0.65%
On load voltage	1.00%
Service Output	Note 1
Leakage 6.1	0.65% ( Note 2 )
6.2	Note 3
6.3	Note 4