

750-430, 750-431 / 753-430, 753-431

8-Channel Digital Input Module 24 V DC

1-conductor connection; high-side switching

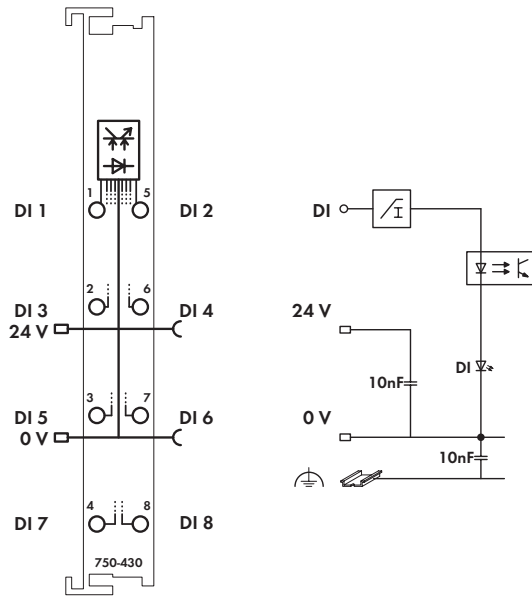
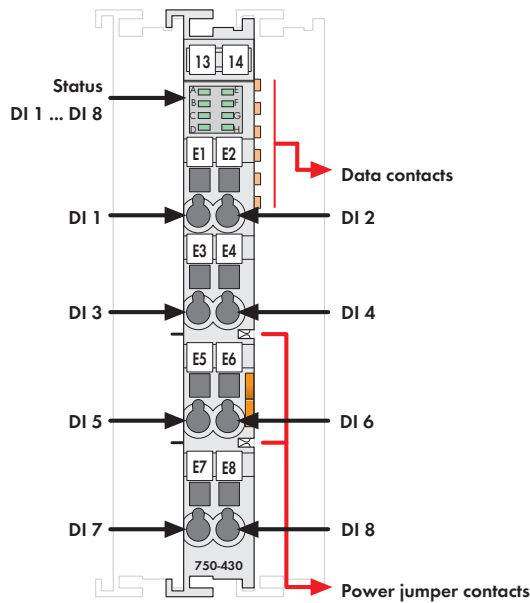






Fig. 750 Series/Technical data see page 24/Delivered without miniature WSB markers. 750/753 Series marking see pages 10 ... 11 / 12 ... 13

NOTE: Connection point marking (i.e., 1 ... 8) does not refer to channel assignment

The digital input modules provide 8 channels maintaining a width of only 12mm. They receive control signals from digital field devices (sensors, etc.).

Each input module has a noise-rejection filter. This filter is available with different time constants.

An optocoupler is used for electrical isolation between the bus and the field side.

Description	Item No.	Pack. Unit
8DI 24V DC, 3.0ms	750-430	1
8DI 24V DC, 3.0ms/T (Operating temperature -20 °C ... +60 °C)	750-430/025-000	1
8DI 24V DC, 0.2ms	750-431	1
8DI 24V DC, 3.0ms (without connector)	753-430	1
8DI 24V DC, 0.2ms (without connector)	753-431	1
Accessories		
 753 Series Connectors	753-110	25
 Coding elements	753-150	100
Miniature WSB Quick marking system		
 plain	248-501	5
 with marking	see pages 352 ... 353	
Approvals		
Also see "Approvals Overview" in Section 1		
Conformity marking	CE	
Shipbuilding (versions upon request)	ABS, BV, DNV, GL, KR, LR*, NKK*, PRS*, RINA*	
	*753 Series, pending	
UL 508		
ANSI/ISA 12.12.01	Class I, Div. 2, Grp. ABCD, T4	75x-430, -431
IEC 60079-0, -15	BR-Ex nA II T4	750-430, -431
EN 60079-0, -15	I M2 / II 3 GD Ex nA IIC T4	75x-430, -431
EN 61241-0, -1		

Technical Data	
Number of inputs	8
Current consumption (internal)	17 mA
Voltage via power jumper contacts	24 V DC (-25 % ... +30 %)
Signal voltage (0)	-3 V ... +5 V DC
Signal voltage (1)	15 V ... 30 V DC
Input filter	3.0 ms (750-430 / 753-430)
	0.2 ms (750-431 / 753-431)
Input current (typ.)	2.8 mA
Isolation	500 V system/supply
Internal bit width	8 bits
Wire connection	CAGE CLAMP®
Cross sections	0.08 mm ² ... 2.5 mm ² / AWG 28 ... 14
Stripped lengths, 750/753 Series	8 ... 9 mm / 0.33 in
	9 ... 10 mm / 0.37 in
Width	12 mm
Weight	48.5 g
EMC: CE - immunity to interference	acc. to EN 61000-6-2 (2005)
EMC: CE - emission of interference	acc. to EN 61000-6-4 (2007)
EMC: marine applications	
- immunity to interference	acc. to Germanischer Lloyd (2003)
EMC: marine applications	
- emission of interference	acc. to Germanischer Lloyd (2003)