



DATA SHEET

10431000

EPIC[®] H-A 4 SS / H-A 4 BSValid from:
07.07.2015

Description

- H-A inserts with screw termination up to 2.5 mm² wire cross section.
- The small H-A 3 / H-A 4 are used whenever there is minimal space.
- Easy to service screw connection.
- Easy cable connection with straight cable entry in the contacts.



General Characteristics

Series	H-A 4
Version	Male/Female(Article 10432000)
Number of Contacts	4+PE
Termination Methods	Screw termination: 0.5 - 2.5 mm ² (2.5 mm ² with conductor end sleeves depending on the crimping profile)
Temperature Range	-40°C to +100°C, short-term up to +125°C

Mechanical Characteristics

Cycle of mechanical operation	100
-------------------------------	-----

Electrical Characteristics

Rated Voltage, IEC	400 V
Rated Voltage, UL	600 V
Rated Voltage, CSA	600 V
Rated Impulse Voltage	4 kV
Rated Current, IEC	23 A
Rated Current, UL	10 A
Rated Current, CSA	10 A
Contact Resistance	1,5 - 4 mOhm
Degree of Soiling	3

Materials and Surfaces

Contacts	Copper alloy, hard silver-plated
Insulating Body	PA
Flammability Class according to UL 94	V0

Approvals

UL-Approval, E-File-Number	E75770
VDE-Approval, VDE-REG.-Nr.	B437

Standard

Product Standard	IEC 61984, UL 1977
------------------	--------------------

Creator: MANU2/PDP
Released: IVSE1/PDP

Document: DB10420000EN
Version: 00

Page 1 of 3

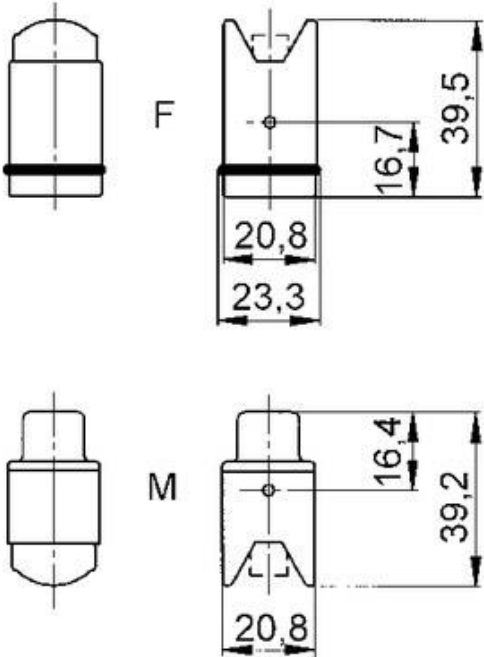
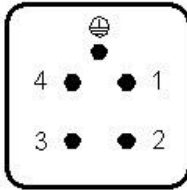
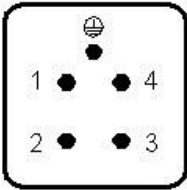
DATA SHEET	10431000
EPIC® H-A 4 SS / H-A 4 BS	Valid from: 07.07.2015

Technical Drawings



M

F





DATA SHEET	10431000
EPIC® H-A 4 SS / H-A 4 BS	Valid from: 07.07.2015



Industrial machinery and plant engineering



Assembly time



Space requirement

Info

Robust power supply connector
Straight cable entry into the contacts

Application range

Machine and equipment manufacturings
Control engineering

Remark

Photographs are not to scale and do not represent detailed images of the respective products.

Creator: MANU2/PDP Released: IVSE1/PDP	Document: DB10420000EN Version: 00	Page 3 of 3
---	---------------------------------------	---------------------------



DATA SHEET	19512900
EPIC[®] H-A 3 MTgvb M20	Valid from: 20.07.2015

Description

- Innovative metal and plastic housing design
- Housing in plastic or metal version. For power supply in the smallest possible space



General characteristics

Series	H-A 3
Version	Cable coupler hood M20
Locking mechanism	single lever
Cable entry	straight
Protection rating	IP 65 (locked)
Temperature range	-40°C to +100°C, short-term up to +125°C

Materials and surfaces

Housing, base material	zinc die-casting
Housing, surface	powder-coating, grey
Lever	Zinc-plated steel

Approvals

VDE-Approval, VDE-REG.-Nr.	B437
----------------------------	------

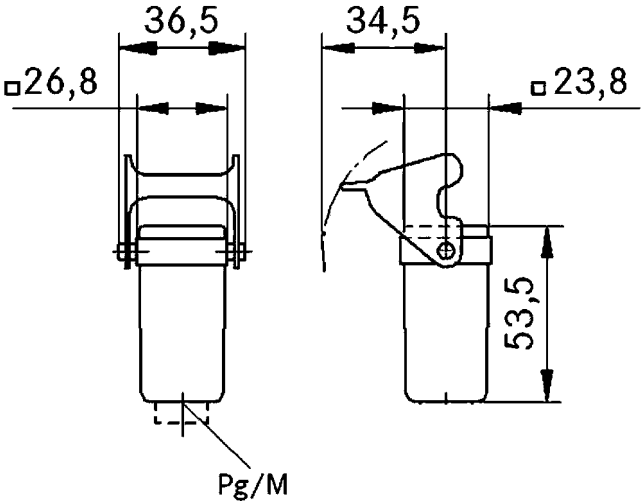
Standards

Product Standard	IEC 61984
------------------	-----------

Creator: MANA2/PDP Released: IVSE1/PDP	Document: DB10512900EN Version: 00	Page 1 of 2
---	---------------------------------------	-------------

DATA SHEET	19512900
EPIC® H-A 3 MTgvb M20	Valid from: 20.07.2015

Drawings



Industrial machinery and plant engineering



Mechanical resistance



Robust



Waterproof

Info

Compact, robust metal housings size H-A 3

Application range

- Machine and equipment manufacturing
- Control engineering
- Electronic laboratory

Remark

Photographs are not to scale and do not represent detailed images of the respective products.

Creator: MANA2/PDP Released: IVSE1/PDP	Document: DB10512900EN Version: 00	Page 2 of 2
---	---------------------------------------	-------------