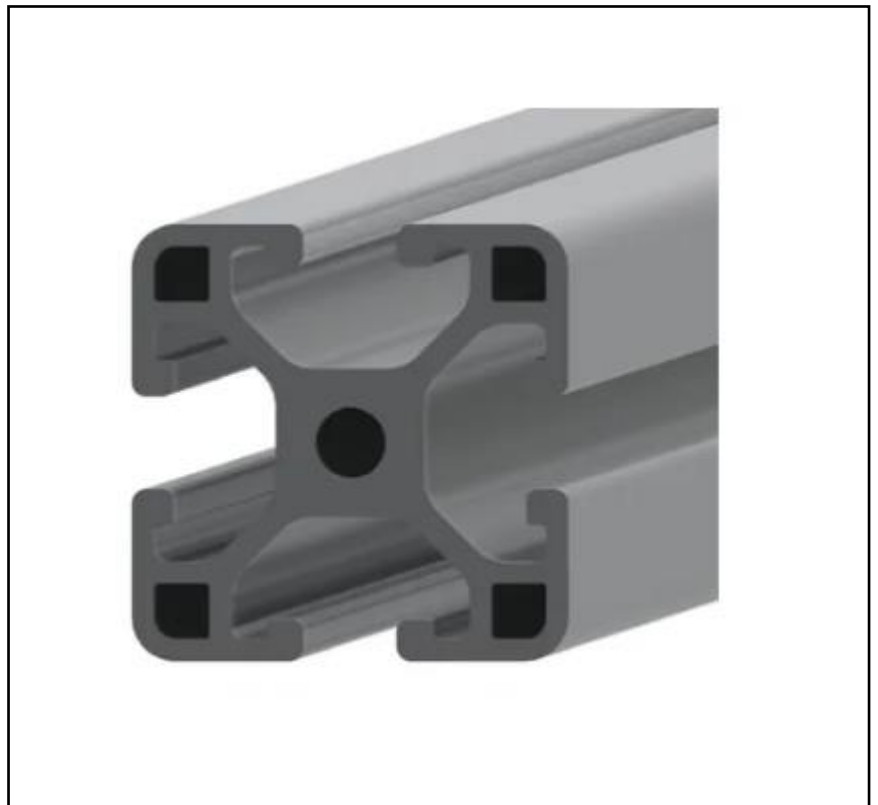


## FEATURES

- Light-weight aluminium alloy
- Suitable for cut to length applications
- Structural element type: Strut profile
- Compatible with support and connector accessories

## RS PRO Strut, 30 x 30 mm, 6mm Groove, 2000mm Length

RS Stock No.: 761-3284



RS Professionally Approved Products bring to you professional quality parts across all product categories. Our product range has been tested by engineers and provides a comparable quality to the leading brands without paying a premium price.

## Product Description

RS PRO Structural System 30mm x 30mm Profile 6 element, available in 1m, 2m and 3m lengths, compatible with Item Profile 6 range. RS PRO Structural System Profiles, compatible with Item Profile 5, Profile 6 and Profile 8, are suitable for general workplace furniture system construction, offering strong, light-weight, easily interchangeable elements in a variety of profile types

This range includes the following Aluminium Alloy Struts:

[761-3280](#) - 6mm Groove, 1000mm Length, Series Profile 6

[761-3284](#) - 6mm Groove, 2000mm Length, Series Profile 6

[761-3293](#) - 6mm Groove, 3000mm Length, Series Profile 6

## General Specifications

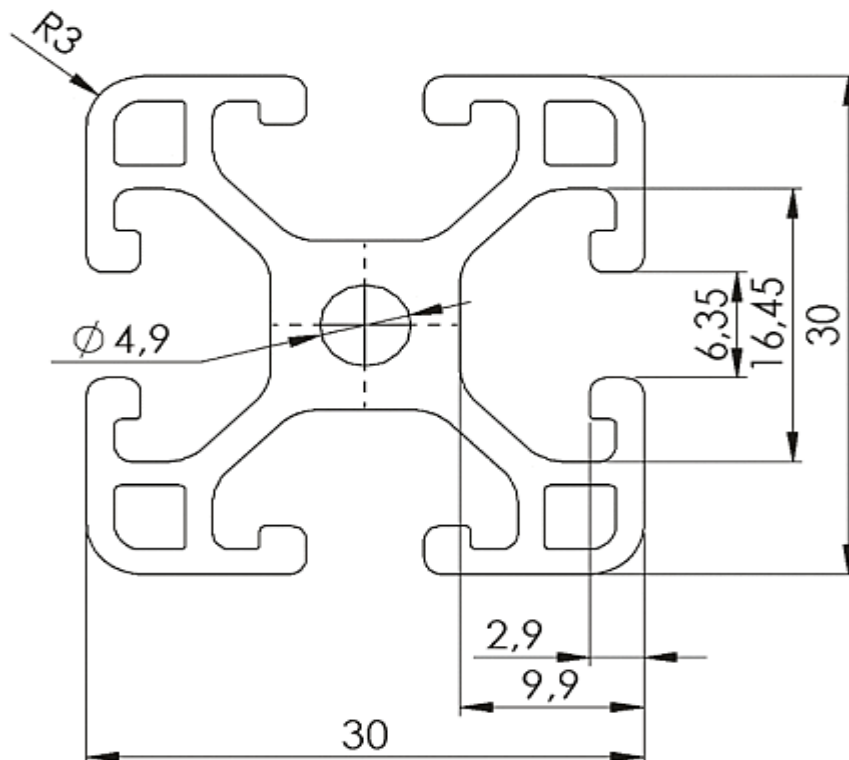
<b>Structural Element Type</b>	Strut Profile
<b>Number of Grooves</b>	4
<b>Material</b>	Anodised Aluminium
<b>Applications</b>	Construction, Industrial equipment, Automotive manufacturing, Plumbing

## Mechanical Specifications

<b>Strut Profile</b>	30mm x 30mm
<b>Length</b>	2000mm
<b>Groove Size</b>	6mm
<b>Mass (G)</b>	0.91kg/m
<b>Moment of Inertia (I<sub>2</sub>)</b>	2.88cm <sup>4</sup>
<b>Section Modulus (W<sub>x</sub>)</b>	1.92cm <sup>3</sup>

**Compatible Accessories for Groove**

Stock No.	Items
<u>767-5601, 767-5604, 767-5608</u>	End Caps
<u>767-5695, 767-5718, 767-5737, 767-5715, 767-5761, 767-5692, 767-5721, 767-5709, 767-5702</u>	Connector Bracket and Joint
<u>767-5727</u>	Floor Bracket
<u>767-5645, 767-5642, 767-5654, 767-5667, 767-5648, 767-5651, 767-5658, 767-5660, 767-5664, 767-5673, 767-5636</u>	T-Slot Nut
<u>767-5822, 767-5686, 767-5689</u>	Screws
<u>767-5711</u>	Cube Connector
<u>767-5730, 767-5670, 767-5676</u>	Universal Connector
<u>767-5686, 767-5682</u>	T-Matic Connector
<u>767-5689</u>	Screw connector
<u>767-5695, 767-5698</u>	Connection Angle
<u>767-5743</u>	Roller



<b>RS Article no.</b>	<b>40 Character Description</b>	<b>Profile Length</b>
7613280	Profile 6 30x30 light 1m	1000mm
7613284	Profile 6 30x30 light 2m	2000mm
7613293	Profile 6 30x30 light 3m	3000mm

