

## FEATURES

- Brighter than standard incandescent bulbs
- Quick and easy installation
- Bright and color intensive light
- Very low power consumption – very energy efficient
- Temperature range - 25°C → 55 °C
- IP Rating: IP65 – dust tight and protected against pressurised water jets
- Operational Life: 30,000 hours

## RS PRO, Panel Mount White LED Pilot Light, 22mm Cutout, IP65, 230 V ac

RS Stock No.: 763-7937



RS Professionally Approved Products bring to you professional quality parts across all product categories. Our product range has been tested by engineers and provides a comparable quality to the leading brands without paying a premium price.

## Product Description

RS PRO LED tec range of LED indicators use multi-chip technology which provides bright even colour in red, green, yellow, blue and white. The back of panel lock nut fixing and screw clamp terminals of these pilot lights enables easy mounting and connection. This range of LED indicators offers a modern and efficient replacement to traditional 22mm pilot lights.

## General Specifications

|                             |   |
|-----------------------------|---|
| <b>Pilot Light Colour</b>   | White   |
| <b>Lamp Type</b>            | Led   |
| <b>Pilot Light Material</b> | Metal; Plastic; Polycarbonate                                       |
| <b>Brightness</b>           | $\geq 60 \text{cd/m}^2$   |
| <b>Applications</b>         | Automatic equipment, Telephones, Condition panels, Dashboard lights |

## Electrical Specifications

|                              |                      |
|------------------------------|----------------------|
| <b>Type of Voltage</b>       | AC                   |
| <b>Voltage Rating</b>        | 230V ac              |
| <b>Frequency</b>             | AC 50Hz-60Hz         |
| <b>Terminal Type</b>         | Screw                |
| <b>Insulation Withstand</b>  | 2.5KV (AC) 1minute   |
| <b>Insulation Resistance</b> | $> 2 \text{M}\Omega$ |
| <b>Operational Life</b>      | 30000 hours          |

## Mechanical Specifications

|                 |             |
|-----------------|-------------|
| Cutout Diameter | 22mm        |
| Mounting Type   | Panel Mount |

## Operation Environment Specifications

|                             |               |
|-----------------------------|---------------|
| Operating Temperature Range | -25°C to 55°C |
| Relative Humidity           | <=95%         |

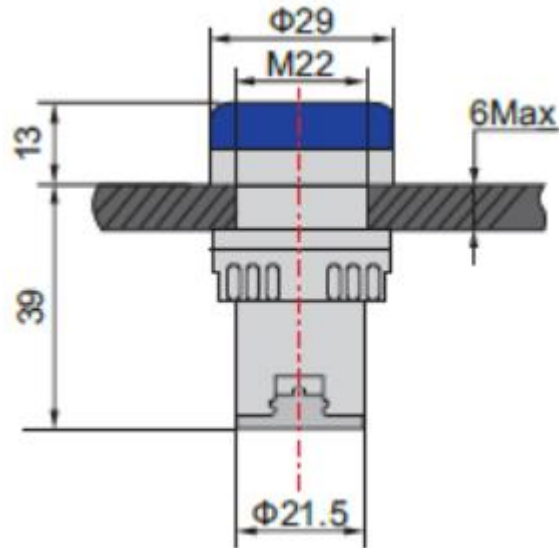
## Protection Category

|           |      |
|-----------|------|
| IP Rating | IP65 |
|-----------|------|

## Approvals

|                           |      |
|---------------------------|------|
| Compliance/Certifications | RoHS |
| Standards Met             | CE   |





| RS Stock Number | Colour | Voltage | Cut out Diameter | Illumination Type | IP Rating | Terminal Type | Mounting Type |
|-----------------|--------|---------|------------------|-------------------|-----------|---------------|---------------|
| 791-8579        | White  | 12V     | 22mm             | LED               | IP65      | Screw         | Panel Mount   |
| 791-8573        | Red    | 12V     | 22mm             | LED               | IP65      | Screw         | Panel Mount   |
| 791-8582        | Green  | 12V     | 22mm             | LED               | IP65      | Screw         | Panel Mount   |
| 791-8585        | Blue   | 12V     | 22mm             | LED               | IP65      | Screw         | Panel Mount   |
| 791-8589        | Yellow | 12V     | 22mm             | LED               | IP65      | Screw         | Panel Mount   |
| 763-7905        | White  | 24V     | 22mm             | LED               | IP65      | Screw         | Panel Mount   |
| 763-7909        | Red    | 24V     | 22mm             | LED               | IP65      | Screw         | Panel Mount   |
| 763-7918        | Green  | 24V     | 22mm             | LED               | IP65      | Screw         | Panel Mount   |
| 763-7911        | Blue   | 24V     | 22mm             | LED               | IP65      | Screw         | Panel Mount   |
| 763-7915        | Yellow | 24V     | 22mm             | LED               | IP65      | Screw         | Panel Mount   |
| 763-7924        | White  | 110V    | 22mm             | LED               | IP65      | Screw         | Panel Mount   |
| 763-7927        | Red    | 110V    | 22mm             | LED               | IP65      | Screw         | Panel Mount   |
| 763-7921        | Green  | 110V    | 22mm             | LED               | IP65      | Screw         | Panel Mount   |
| 763-7930        | Blue   | 110V    | 22mm             | LED               | IP65      | Screw         | Panel Mount   |
| 763-7933        | Yellow | 110V    | 22mm             | LED               | IP65      | Screw         | Panel Mount   |
| 763-7937        | White  | 230V    | 22mm             | LED               | IP65      | Screw         | Panel Mount   |
| 763-7946        | Red    | 230V    | 22mm             | LED               | IP65      | Screw         | Panel Mount   |
| 763-7949        | Green  | 230V    | 22mm             | LED               | IP65      | Screw         | Panel Mount   |
| 763-7943        | Blue   | 230V    | 22mm             | LED               | IP65      | Screw         | Panel Mount   |
| 763-7952        | Yellow | 230V    | 22mm             | LED               | IP65      | Screw         | Panel Mount   |