

FEATURES

- Brighter than standard incandescent bulbs
- Quick and easy installation
- Bright and colour intensive light
- Very low power consumption – very energy efficient
- Temperature range - 25°C → 55 °C
- IP Rating: IP65 – dust tight and protected against pressurised water jets
- Operational Life: 30,000 hours

RS PRO, Panel Mount Yellow LED Pilot Light, 22mm Cutout, IP65, 230 V ac

RS Stock No.: 763-7952



RS Professionally Approved Products bring to you professional quality parts across all product categories. Our product range has been tested by engineers and provides a comparable quality to the leading brands without paying a premium price.

Product Description

RS PRO LED tec range of LED indicators use multi-chip technology which provides bright even colour in red, green, yellow, blue and white. The back of panel lock nut fixing and screw clamp terminals of these pilot lights enables easy mounting and connection. This range of LED indicators offers a modern and efficient replacement to traditional 22mm pilot lights.

General Specifications

Pilot Light Colour	Yellow
Lamp Type	Led
Brightness	$\geq 60 \text{cd/m}^2$
Applications	Automatic equipment, Telephones, Condition panels, Dashboard lights

Electrical Specifications

Type of Voltage	AC
Voltage Rating	230V ac
Frequency	AC 50Hz-60Hz
Terminal Type	Screw
Insulation Withstand	2.5KV (AC) 1minute
Insulation Resistance	$> 2 \text{M}\Omega$
Operational Life	30000 hours

Mechanical Specifications

Cutout Diameter	22mm
Mounting Type	Panel Mount

Operation Environment Specifications

Operating Temperature Range	-40°C to 55°C
Relative Humidity	<=98%

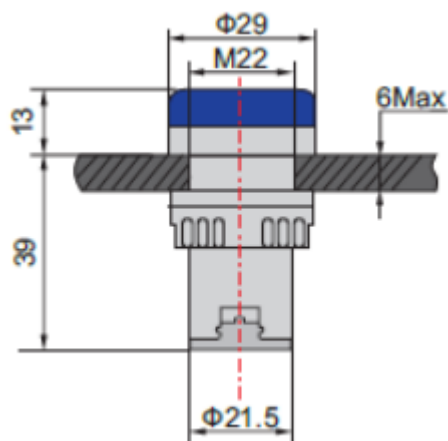
Protection Category

IP Rating	IP65
-----------	------

Approvals

Compliance/Certifications	RoHS
Standards Met	CE





RS Stock Number	Colour	Voltage	Cut out Diameter	Illumination Type	IP Rating	Terminal Type	Mounting Type
791-8579	White	12V	22mm	LED	IP65	Screw	Panel Mount
791-8573	Red	12V	22mm	LED	IP65	Screw	Panel Mount
791-8582	Green	12V	22mm	LED	IP65	Screw	Panel Mount
791-8585	Blue	12V	22mm	LED	IP65	Screw	Panel Mount
791-8589	Yellow	12V	22mm	LED	IP65	Screw	Panel Mount
763-7905	White	24V	22mm	LED	IP65	Screw	Panel Mount
763-7909	Red	24V	22mm	LED	IP65	Screw	Panel Mount
763-7918	Green	24V	22mm	LED	IP65	Screw	Panel Mount
763-7911	Blue	24V	22mm	LED	IP65	Screw	Panel Mount
763-7915	Yellow	24V	22mm	LED	IP65	Screw	Panel Mount
763-7924	White	110V	22mm	LED	IP65	Screw	Panel Mount
763-7927	Red	110V	22mm	LED	IP65	Screw	Panel Mount
763-7921	Green	110V	22mm	LED	IP65	Screw	Panel Mount
763-7930	Blue	110V	22mm	LED	IP65	Screw	Panel Mount
763-7933	Yellow	110V	22mm	LED	IP65	Screw	Panel Mount
763-7937	White	230V	22mm	LED	IP65	Screw	Panel Mount
763-7946	Red	230V	22mm	LED	IP65	Screw	Panel Mount
763-7949	Green	230V	22mm	LED	IP65	Screw	Panel Mount
763-7943	Blue	230V	22mm	LED	IP65	Screw	Panel Mount
763-7952	Yellow	230V	22mm	LED	IP65	Screw	Panel Mount