

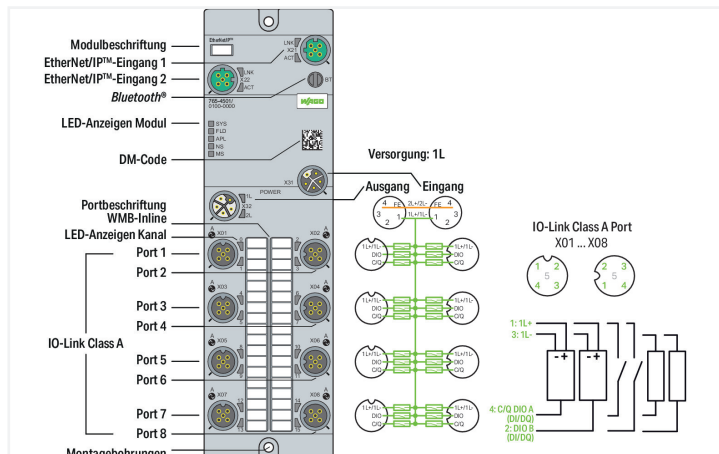
Data Sheet | Item Number: 765-4501/100-000

8-Port-IO Link Master Class A; EtherNet/IP; DC 24 V / 2.0 A; 8xM12 connection; Wi-deLine

<https://www.wago.com/765-4501/100-000>



Similar to illustration



Technical data

Fieldbus

Communication	EtherNet/IP™ BOOTP, DHCP, DLR
Connection technology: communication/ fieldbus	2 x D-coded M12; 4-pole
Interface standard	10BASE-T/100BASE-TX; potential-free
Autonegotiation; autocrossover	Yes

Device functions

Parameter	Input filter Output current Temperature
Diagnostics	Undervoltage; overcurrent; overload; overtemperature
Device functions	Bluetooth® OPC UA server
Visualization	Android/iOS app Web server

IO-Link master

IO-Link master classification	Class A; V1.1 specification
Port mode	IO-Link: autoconfig, manual, tool-based DI DO
Cycle time	400 µs (min.)
Operating mode	IO-Link master, DI or DO (adjustable for pin 4 per port); DI or DO (adjustable for pin 2 per port)

IO-Link ports

Number of digital inputs	16
Number of digital outputs	16
Connection technology: inputs/outputs	8 x A-coded M12; 5-pole
Signal type (voltage)	24 VDC
Input characteristic	high-side switching Type 3, per IEC 61131-2
Input filter	0.2 ... 20 ms
Output current (per channel)	2 A (typ.) for DO
Supply current per port	1L: 1 A for IO-Link; 4 A (max.) for DIO

Supply (module)

Connection technology: supply	2 x L-coded M12; 5-pole
Supply voltage	24 VDC (18 ... 31.2 V); 1L
Current consumption (max.)	16000 mA
Current consumption (note)	per supply line; overload- and short-cir- cuit-protected
Reverse voltage protection	Yes

Physical data

Width	60 mm / 2.362 inches
Height	30 mm / 1.181 inches
Depth	210 mm / 8.268 inches

Mechanical Data

Weight	610 g
Conformity marking	CE

Environmental requirements

Ambient temperature (operation)	-25 ... +70 °C
Surrounding air temperature (storage)	-40 ... +80 °C
Protection type	IP67
Protection class	III per EN 61140, IEC 61140, VDE 0140-1
Operating altitude	0 ... 2000 m / 0 ... 6562 ft
Pollution degree (5)	3 (EN 60664-1)
Overvoltage category	II (EN 60664-1)
Relative humidity (without condensation)	95 %
Vibration resistance	5g per IEC 60068-2-6
Shock resistance	Short-term: 50g/11 ms/half-sine per IEC 60068-2-27; Long-term: 30g/6 ms/half-sine per IEC 60068-2-29
EMC immunity to interference	per EN 61000-6-2
EMC emission of interference	per EN 61000-6-4

Commercial data

ETIM 8.0	EC001601
ETIM 7.0	EC001601
PU (SPU)	1 pcs
Country of origin	DE
GTIN	4066966063189
Customs tariff number	85371098990

Downloads

Environmental Product Compliance

Compliance Search

Environmental Product
Compliance
765-4501/100-000



Documentation

Manual			
Product Manual 8-Port IO-Link Master Class A; EtherNet/IP	V 2.0.0 19.07.2022	pdf 9388.20 KB	↓

System Description	
WAGO I/O System Field; General Product Information	pdf 1009.23 KB ↓

Instruction Leaflet			
I/O System Field package insert	15.12.2021	pdf 1083.98 KB	↓

CAD/CAE-Data

CAD data	
2D/3D Models 765-4501/100-000	↓

CAE data	
EPLAN Data Portal 765-4501/100-000	↓

Runtime Software

Firmware			
0765-x5xx, Ethernet/IP IO-Field	V 01 23.07.2021	zip 40290.93 KB	↓

Libraries

Device Description File			
750-915; EDS-Dateien for EthernetIP / Serie 750, 765 and 767	12 09.07.2021	zip 164.42 KB	↓
Gerätebeschreibungsdateien 765-45xx, 765-15xx, EtherNet/IP	V1_1_0_11	zip 74.02 KB	↓

1 Compatible Products

1.1 Required Accessories

1.1.1 Cover

1.1.1.1 Cover



Item No.: 756-8103
M12 protective cap; for unused plugs

Item No.: 756-8102
M12 protective cap; for unused sockets

1.1.2 Marking

1.1.2.1 Marker



Item No.: 2009-115
 WMB-Inline; for Smart Printer; 1500 pieces on roll; stretchable 5 - 5.2 mm; plain; snap-on type; white

1.1.2.2 Marking strip



Item No.: 2009-110
 Marking strips; for Smart Printer; on reel; not stretchable; plain; snap-on type; white

1.1.3 Tool

1.1.3.1 Assembly tool



Item No.: 206-701
 Torque wrench M8 and M12; Assembly kit

1.2 Optional Accessories

1.2.1 Cables and connectors

1.2.1.1 Configurable connectors



Item No.: 756-9205/040-000
 Fitted pluggable connector; 4-pole; M12 plug, right angle; Spring



Item No.: 756-9202/040-000
 Fitted pluggable connector; 4-pole; M12 plug, straight, A-coded; Spring



Item No.: 756-9701/050-000
 Fitted pluggable connector; 5-pole, shielded; M12 plug, straight; IDC technology



Item No.: 756-9711/050-000
 Fitted pluggable connector; 5-pole, shielded; M12 socket, straight; IDC technology

1.2.1.2 Configurable shielded connectors



Item No.: 756-9501/040-000
 Accessories; M12 plug, right angle; 4-pole



Item No.: 756-9501/060-000
 Fitted pluggable connector; 4-pole, shielded; M12 plug, straight, D-coded; Spring

1.2.1.3 Distribution connector



Item No.: 756-9301/040-000
 Accessories; 4-pole



Item No.: 756-9301/050-000
 Accessories; 5-pole



Item No.: 756-5517/040-010
 Sensor/Actuator cable; 2xM12 socket; angled; M12A plug; straight; 4-pole; Length: 1 m



Item No.: 756-5517/040-020
 Sensor/Actuator cable; 2xM12 socket; angled; M12A plug; straight; 4-pole; Length: 2 m



Item No.: 756-5516/040-010
 Sensor/Actuator cable; 2xM12 socket; straight; M12A plug; straight; 4-pole; Length: 1 m



Item No.: 756-5516/040-020
 Sensor/Actuator cable; 2xM12 socket; straight; M12A plug; straight; 4-pole; Length: 2 m



Item No.: 756-5514/040-010
 Sensor/Actuator cable; 2xM8 socket; angled; M12A plug; straight; 4-pole; Length: 1 m



Item No.: 756-5514/040-020
 Sensor/Actuator cable; 2xM8 socket; angled; M12A plug; straight; 4-pole; Length: 2 m

1.2.1.3 Distribution connector



Item No.: 756-5513/040-010
 Sensor/Actuator cable; 2xM8 socket; straight; M12A plug; straight; 4-pole; Length: 1 m

Item No.: 756-5513/040-020
 Sensor/Actuator cable; 2xM8 socket; straight; M12A plug; straight; 4-pole; Length: 2 m

1.2.1.4 ETHERNET/PROFINET cable



Item No.: 756-1202/060-100
 ETHERNET cable; M12D plug; angled; 4-pole; Length: 10 m

Item No.: 756-1202/060-020
 ETHERNET cable; M12D plug; angled; 4-pole; Length: 2 m

Item No.: 756-1202/060-200
 ETHERNET cable; M12D plug; angled; 4-pole; Length: 20 m

Item No.: 756-1202/060-050
 ETHERNET cable; M12D plug; angled; 4-pole; Length: 5 m



Item No.: 756-1204/060-010
 ETHERNET cable; M12D plug; angled; M12D plug; angled; 4-pole; Length: 1 m

Item No.: 756-1204/060-100
 ETHERNET cable; M12D plug; angled; M12D plug; angled; 4-pole; Length: 10 m

Item No.: 756-1204/060-020
 ETHERNET cable; M12D plug; angled; M12D plug; angled; 4-pole; Length: 2 m

Item No.: 756-1204/060-200
 ETHERNET cable; M12D plug; angled; M12D plug; angled; 4-pole; Length: 20 m



Item No.: 756-1204/060-030
 ETHERNET cable; M12D plug; angled; M12D plug; angled; 4-pole; Length: 3 m

Item No.: 756-1204/060-050
 ETHERNET cable; M12D plug; angled; M12D plug; angled; 4-pole; Length: 5 m

Item No.: 756-1201/060-100
 ETHERNET cable; M12D plug; straight; 4-pole; Length: 10 m

Item No.: 756-1201/060-020
 ETHERNET cable; M12D plug; straight; 4-pole; Length: 2 m



Item No.: 756-1201/060-200
 ETHERNET cable; M12D plug; straight; 4-pole; Length: 20 m

Item No.: 756-1201/060-050
 ETHERNET cable; M12D plug; straight; 4-pole; Length: 5 m

Item No.: 756-1203/060-100
 ETHERNET cable; M12D plug; straight; M12D plug; straight; 4-pole; Length: 10 m

Item No.: 756-1203/060-020
 ETHERNET cable; M12D plug; straight; M12D plug; straight; 4-pole; Length: 2 m



Item No.: 756-1203/060-200
 ETHERNET cable; M12D plug; straight; M12D plug; straight; 4-pole; Length: 20 m

Item No.: 756-1203/060-050
 ETHERNET cable; M12D plug; straight; M12D plug; straight; 4-pole; Length: 5 m

1.2.1.5 Power cable



Item No.: 756-3504/050-100
 Power cable; M12L plug; angled; 5-pole; Length: 10 m

Item No.: 756-3504/050-150
 Power cable; M12L plug; angled; 5-pole; Length: 15 m

Item No.: 756-3504/050-020
 Power cable; M12L plug; angled; 5-pole; Length: 2 m

Item No.: 756-3504/050-050
 Power cable; M12L plug; angled; 5-pole; Length: 5 m



Item No.: 756-3504/050-075
 Power cable; M12L plug; angled; 5-pole; Length: 7.5 m

Item No.: 756-3503/050-100
 Power cable; M12L plug; straight; 5-pole; Length: 10 m

Item No.: 756-3503/050-150
 Power cable; M12L plug; straight; 5-pole; Length: 15 m

Item No.: 756-3503/050-020
 Power cable; M12L plug; straight; 5-pole; Length: 2 m



Item No.: 756-3503/050-050
 Power cable; M12L plug; straight; 5-pole; Length: 5 m

Item No.: 756-3503/050-075
 Power cable; M12L plug; straight; 5-pole; Length: 7.5 m

Item No.: 756-3502/050-100
 Power cable; M12L socket; angled; 5-pole; Length: 10 m

Item No.: 756-3502/050-150
 Power cable; M12L socket; angled; 5-pole; Length: 15 m



Item No.: 756-3502/050-020
 Power cable; M12L socket; angled; 5-pole; Length: 2 m

Item No.: 756-3502/050-050
 Power cable; M12L socket; angled; 5-pole; Length: 5 m

Item No.: 756-3502/050-075
 Power cable; M12L socket; angled; 5-pole; Length: 7.5 m

Item No.: 756-3506/050-003
 Power cable; M12L socket; angled; M12L plug; angled; 5-pole; Length: 0.3 m



Item No.: 756-3506/050-005
 Power cable; M12L socket; angled; M12L plug; angled; 5-pole; Length: 0.5 m

Item No.: 756-3506/050-010
 Power cable; M12L socket; angled; M12L plug; angled; 5-pole; Length: 1 m

Item No.: 756-3506/050-100
 Power cable; M12L socket; angled; M12L plug; angled; 5-pole; Length: 10 m

Item No.: 756-3506/050-150
 Power cable; M12L socket; angled; M12L plug; angled; 5-pole; Length: 15 m

1.2.1.5 Power cable



Item No.: 756-3506/050-020

Power cable; M12L socket; angled; M12L plug; angled; 5-pole; Length: 2 m

Item No.: 756-3506/050-050

Power cable; M12L socket; angled; M12L plug; angled; 5-pole; Length: 5 m

Item No.: 756-3506/050-075

Power cable; M12L socket; angled; M12L plug; angled; 5-pole; Length: 7.5 m

Item No.: 756-3501/050-100

Power cable; M12L socket; straight; 5-pole; Length: 10 m



Item No.: 756-3501/050-150

Power cable; M12L socket; straight; 5-pole; Length: 15 m

Item No.: 756-3501/050-020

Power cable; M12L socket; straight; 5-pole; Length: 2 m

Item No.: 756-3501/050-050

Power cable; M12L socket; straight; 5-pole; Length: 5 m

Item No.: 756-3501/050-075

Power cable; M12L socket; straight; 5-pole; Length: 7.5 m



Item No.: 756-3505/050-003

Power cable; M12L socket; straight; M12L plug; straight; 5-pole; Length: 0.3 m

Item No.: 756-3505/050-005

Power cable; M12L socket; straight; M12L plug; straight; 5-pole; Length: 0.5 m

Item No.: 756-3505/050-010

Power cable; M12L socket; straight; M12L plug; straight; 5-pole; Length: 1 m

Item No.: 756-3505/050-100

Power cable; M12L socket; straight; M12L plug; straight; 5-pole; Length: 10 m



Item No.: 756-3505/050-150

Power cable; M12L socket; straight; M12L plug; straight; 5-pole; Length: 15 m

Item No.: 756-3505/050-020

Power cable; M12L socket; straight; M12L plug; straight; 5-pole; Length: 2 m

Item No.: 756-3505/050-050

Power cable; M12L socket; straight; M12L plug; straight; 5-pole; Length: 5 m

Item No.: 756-3505/050-075

Power cable; M12L socket; straight; M12L plug; straight; 5-pole; Length: 7.5 m

1.2.1.6 Sensor/actuator cable



Item No.: 756-5312/040-015

Sensor/Actuator cable; M12A plug; angled; 4-pole; Length: 1.5 m

Item No.: 756-5312/040-100

Sensor/Actuator cable; M12A plug; angled; 4-pole; Length: 10 m

Item No.: 756-5312/040-050

Sensor/Actuator cable; M12A plug; angled; 4-pole; Length: 5 m

Item No.: 756-5311/040-015

Sensor/Actuator cable; M12A plug; straight; 4-pole; Length: 1.5 m



Item No.: 756-5311/040-100

Sensor/Actuator cable; M12A plug; straight; 4-pole; Length: 10 m

Item No.: 756-5311/040-050

Sensor/Actuator cable; M12A plug; straight; 4-pole; Length: 5 m

Item No.: 756-5404/040-010

Sensor/Actuator cable; M12A socket; angled; M12A plug; angled; 4-pole; Length: 1 m

Item No.: 756-5404/040-020

Sensor/Actuator cable; M12A socket; angled; M12A plug; angled; 4-pole; Length: 2 m



Item No.: 756-5403/040-010

Sensor/Actuator cable; M12A socket; angled; M12A plug; straight; 4-pole; Length: 1 m

Item No.: 756-5403/040-020

Sensor/Actuator cable; M12A socket; angled; M12A plug; straight; 4-pole; Length: 2 m

Item No.: 756-5402/040-010

Sensor/Actuator cable; M12A socket; straight; M12A plug; angled; 4-pole; Length: 1 m

Item No.: 756-5402/040-020

Sensor/Actuator cable; M12A socket; straight; M12A plug; angled; 4-pole; Length: 2 m



Item No.: 756-5401/040-010

Sensor/Actuator cable; M12A socket; straight; M12A plug; straight; 4-pole; Length: 1 m

Item No.: 756-5401/040-020

Sensor/Actuator cable; M12A socket; straight; M12A plug; straight; 4-pole; Length: 2 m

Item No.: 756-5510/040-010

Sensor/Actuator cable; M8 socket; angled; M12A plug; angled; 4-pole; Length: 1 m

Item No.: 756-5510/040-020

Sensor/Actuator cable; M8 socket; angled; M12A plug; angled; 4-pole; Length: 2 m



Item No.: 756-5509/040-010

Sensor/Actuator cable; M8 socket; angled; M12A plug; straight; 4-pole; Length: 1 m

Item No.: 756-5509/040-020

Sensor/Actuator cable; M8 socket; angled; M12A plug; straight; 4-pole; Length: 2 m

Item No.: 756-5508/040-010

Sensor/Actuator cable; M8 socket; straight; M12A plug; angled; 4-pole; Length: 1 m

Item No.: 756-5508/040-020

Sensor/Actuator cable; M8 socket; straight; M12A plug; angled; 4-pole; Length: 2 m



Item No.: 756-5507/040-010

Sensor/Actuator cable; M8 socket; straight; M12A plug; straight; 4-pole; Length: 1 m

Item No.: 756-5507/040-020

Sensor/Actuator cable; M8 socket; straight; M12A plug; straight; 4-pole; Length: 2 m