

## EM122-RTU-2P

**Weidmüller Interfaces GmbH & Co. KG**

Postfach 3030

32760 Detmold

Tel. +49 5231 14-0

Fax. +49 5231 14-2083

info@weidmueller.com

www.weidmueller.com



Energy meters - BasicLine

### Core functions of energy data acquisition

The BasicLine devices measure power characteristics of single-phase or three-phase loads.

For this purpose, basic values are provided to make the energy demand of a system transparent.

The essential values are displayed directly on the unit and communicated via a network.

Our devices are suitable either for mounting on top hat rails or in the front panel.

By focusing on core functions, the BasicLine devices have a very good cost-benefit ratio.

### General ordering data

Version	Power measurement/display for 1-, 3-phase mains, 100 A, direct measurement, pulse output, Modbus RTU
Order No.	<a href="#">7760051003</a>
Type	EM122-RTU-2P
GTIN (EAN)	6944 1698 18 196
Qty.	1 pc(s).

## EM122-RTU-2P

Weidmüller Interfaces GmbH &amp; Co. KG

Postfach 3030

32760 Detmold

Tel. +49 5231 14-0

Fax. +49 5231 14-2083

info@weidmueller.com

www.weidmueller.com

## Technical data

## Dimensions and weights

Depth	66 mm	Depth (inches)	2.598 inch
Height	100 mm	Height (inches)	3.937 inch
Width	72 mm	Width (inches)	2.835 inch
Net weight	350 g		

## Temperatures

Storage temperature	-40 °C...70 °C	Operating temperature	-25 °C...55 °C
Operating temperature, min.	-25 °C	Operating temperature, max.	55 °C
Humidity	0...90 % (no condensation)		

## Measuring current input

Current-measuring channels	3	Max. current	100 A
Measuring accuracy for current	0.5 %	Rated current	10 A

## Measuring voltage input

Four-wire system	Yes	Frequency range, max.	65 Hz
Frequency range, min.	45 Hz	Low voltage network	1 phase 2 wire (L + N), 3 phase 3 wire (L1 + L2 + L3), 3 phase 4 wire (L1 + L2 + L3 + N)
Measurement range, voltage L-L, AC	240...480 V	Measurement range, voltage L-N, AC	138...276 V
Measuring accuracy for voltage	0.5 %	Three-wire system	Yes
Voltage type	AC		

## Communication

Interface	RS485	Protocol	Modbus RTU
-----------	-------	----------	------------

## Inputs/outputs

Digital output configurable	Yes	Input type	3 phase AC (3P, 3P +N)
Number of pulse outputs	2		

## Measurement data recording

Software	EM configuration tools
----------	------------------------

**EM122-RTU-2P**

**Weidmüller Interfaces GmbH & Co. KG**

Postfach 3030

32760 Detmold

Tel. +49 5231 14-0

Fax. +49 5231 14-2083

info@weidmueller.com

**Technical data**

**Technical data**

Display monitoring (monitor)	Display value	www.weidmueller.com	Voltage, current measured value, Apparent power, Reactive power, Power factor, Frequency, Import / export active power demand, Total import / export active energy, Total import / export reactive energy, Total system power demand
	LCD digital		
Max. current	100 A	Pollution severity	2
Power factor input	1 %	Protection degree	IP20, Front panel: IP51
Rated current	10 A	Type of mounting	DIN rail
Version	Power measurement/display for 1-, 3-phase mains, 100 A, direct measurement, pulse output,, Modbus RTU	Measurement range, voltage L-N, AC	138...276 V
Measurement range, voltage L-L, AC	240...480 V	Surge voltage category	III
Three-wire system	Yes	Four-wire system	Yes
Current-measuring channels	3	Measuring accuracy for voltage	0.5 %
Measuring accuracy for current	0.5 %	Measurement accuracy for active energy (kWh, .../5 A)	Class 0.5

**Insulation coordination**

Pollution severity	2	Surge voltage category	III
--------------------	---	------------------------	-----

**Connection data**

Stripping length	8 mm	Type of connection	Screw connection
Wire connection cross section, finely stranded, min.	2.5 mm <sup>2</sup>	Wire connection cross section, finely stranded, max.	25 mm <sup>2</sup>
Wire connection cross section, finely stranded, two clampable wires, min.	2.5 mm <sup>2</sup>	Wire cross-section, finely stranded, two clampable wires, max.	25 mm <sup>2</sup>

**Classifications**

ETIM 6.0	EC002301	ETIM 7.0	EC002301
ETIM 8.0	EC002301	ECLASS 9.0	27-14-23-30
ECLASS 9.1	27-21-03-01	ECLASS 10.0	27-14-23-30
ECLASS 11.0	27-14-23-30	ECLASS 12.0	27-14-23-30

**Approvals**

Approvals



ROHS

Conform

**EM122-RTU-2P**

**Weidmüller Interfaces GmbH & Co. KG**

Postfach 3030

32760 Detmold

Tel. +49 5231 14-0

Fax. +49 5231 14-2083

[info@weidmueller.com](mailto:info@weidmueller.com)

[www.weidmueller.com](http://www.weidmueller.com)

**Technical data**

**Downloads**

Approval/Certificate/Document of Conformity	<a href="#">Declaration of Conformity</a>	<a href="http://www.weidmueller.com">www.weidmueller.com</a>
Software	<a href="#">Runtime Software – EM configuration tools</a> <a href="#">Device description – Device description – MODBUS address list</a>	
User Documentation	<a href="#">Manual EM122 English</a> <a href="#">Manual EM configuration tools Chinese</a> <a href="#">Manual EM configuration tools English</a> <a href="#">Manual EM122 Chinese</a> <a href="#">Manual EM122 Chinese</a> <a href="#">Manual EM122 English</a>	
Catalogues	<a href="#">Catalogues in PDF-format</a>	

**EM122-RTU-2P**

Weidmüller Interfaces GmbH & Co. KG

Postfach 3030

32760 Detmold

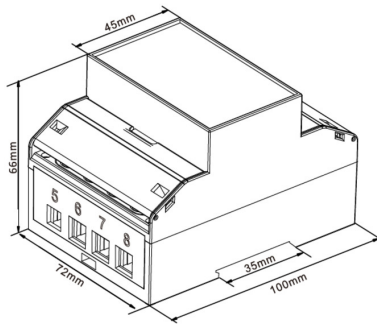
Tel. +49 5231 14-0

Fax. +49 5231 14-2083

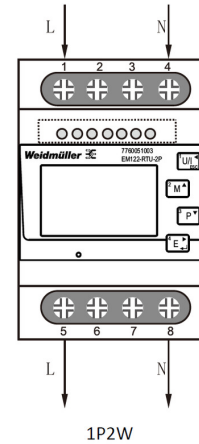
**Drawings**

info@weidmueller.com

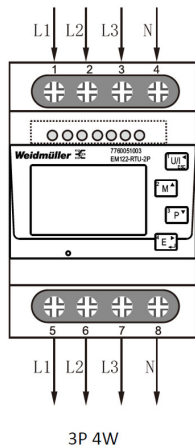
**Dimensioned drawing**



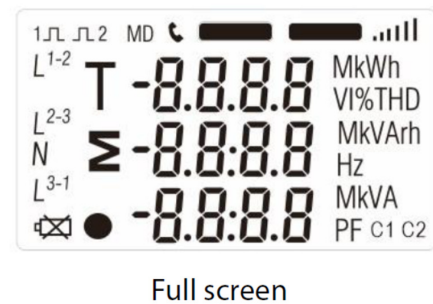
**Wiring example**



**Wiring example**



**Layout**



Full screen