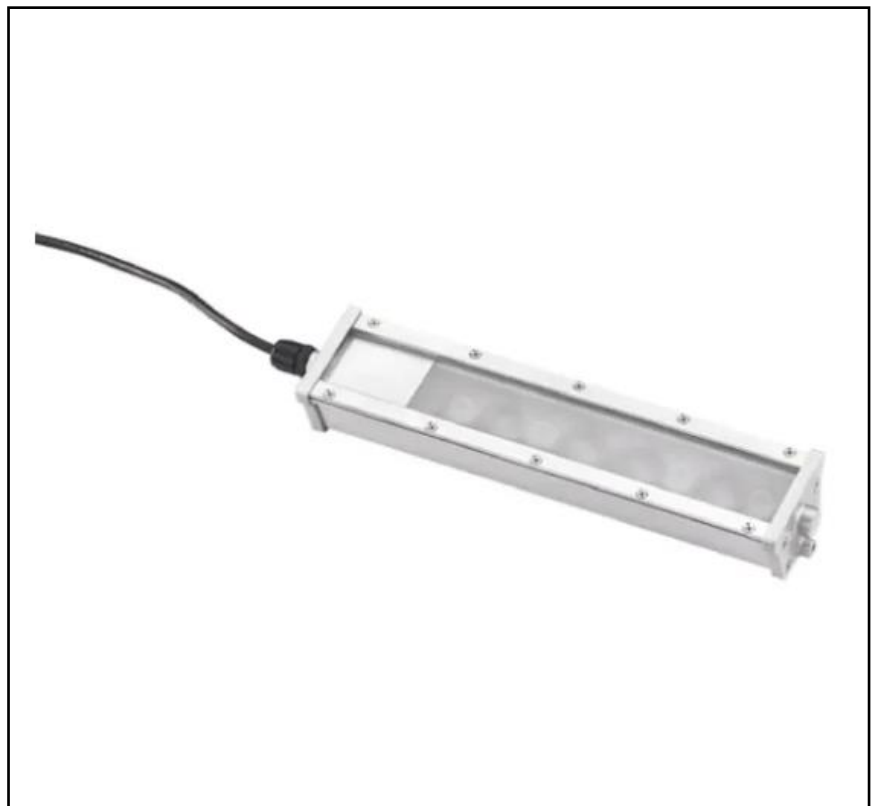


FEATURES

- 12" Long
- Emits a bright, white light at 780 Lumens
- In built LED driver
- Reinforced Lens for high crack-resistance
- Aluminium body also functions as a heat sink

RS PRO LED Machine Light, 100 → 260 V ac, 12 W

RS Stock No.: 777-7956



RS Professionally Approved Products bring to you professional quality parts across all product categories. Our product range has been tested by engineers and provides a comparable quality to the leading brands without paying a premium price.

Product Description

From RS Pro, this fixed LED strip light is delivers effective lighting, minimizing eye strain where high concentration tasks and detailed work is taking place. They can be positioned at machines or work places to give excellent illumination exactly where it is needed.

General Specifications

Lamp Type	LED
Light Style	Linear Fixed
Lamp Supplied	Yes
Integral transformer	Yes
Shield Fitted	No
Switch Fitted	No
service life	up to 40,000hours

Electrical Specifications

Mains Plug Type	Type C – Euro plug
Voltage Rating	100VAC to 260VAC
Wattage	12W
EU Energy Efficiency Rating	A+
Number of Bulbs	6
Colour Temperature	5000K

Mechanical Specifications

Length	340mm
Cable Length	1.8m
Beam Angle	80°

Operation Environment Specifications

Temperature Range	-22°C to 140°C
-------------------	----------------

Protection Category

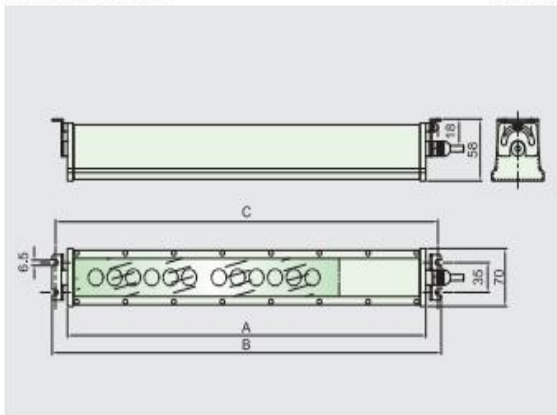
IP Rating	IP 65
-----------	-------

Approvals

Compliance/Certifications	RoHS Certificate of Compliance
---------------------------	--------------------------------

DIMENSIONS

unit:mm



STOCK NO.	A	B	C	LED BULB QUANTITY	LIGHT OUTPUT
777-7955	298	340	332	6	780 lm
777-7965	480	522	514	12	1560 lm
777-7968	835	877	869	20	2860