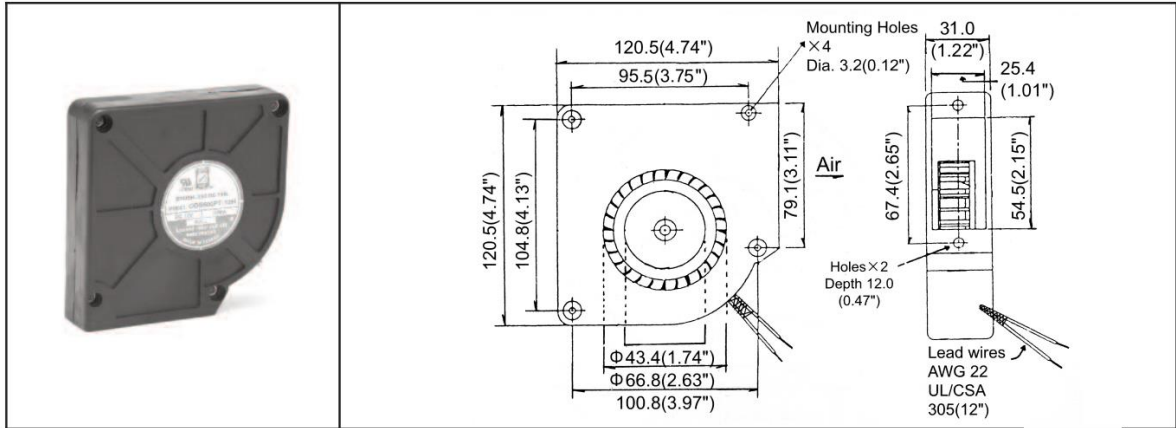


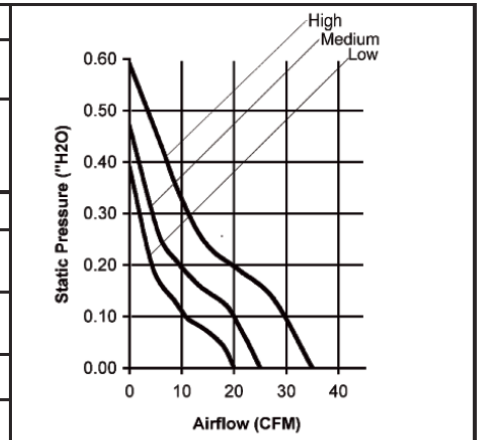
Datasheet

Blower 120 x 120 x 32mm, 59.47m³/h, 12 V dc (ODB600PT Series)

Stock Number: **787-4025**



| | |
|-----------------------|---|
| Frame & Impeller | PBT, UL94V-O plastic |
| Connection | 2x Lead wires |
| Motor | Brushless DC, auto restart, locked rotor and polarity protected |
| Bearing System | Dual ball |
| Insulation Resistance | 10M ohm between leadwire and frame (500VDC) |
| Dielectric Strength | 1 minute at 500VAC / 1 second, max leakage 500 microamp |
| Temperature Range | -10C ~ +70C |
| Life Expectancy (L10) | 60,000 hours |



| Model Number | Speed (RPM) | Airflow (CFM) | Noise (dB) | Volts DC | Voltage Range | Amps | Max. Static Pressure (\"H2O) |
|---------------|-------------|---------------|------------|----------|---------------|------|------------------------------|
| ODB600PT-12HB | 3000 | 35 | 49 | 12 | 8~14 | 0.60 | 0.59 |
| ODB600PT-12MB | 2500 | 25 | 42 | 12 | 8~14 | 0.47 | 0.47 |
| ODB600PT-12LB | 1800 | 20 | 30 | 12 | 8~14 | 0.20 | 0.39 |
| ODB600PT-24HB | 3000 | 35 | 49 | 24 | 10~29 | 0.37 | 0.59 |
| ODB600PT-24MB | 2500 | 25 | 42 | 24 | 10~29 | 0.30 | 0.47 |
| ODB600PT-24LB | 1800 | 20 | 30 | 24 | 10~29 | 0.20 | 0.39 |
| ODB600PT-48HB | 3000 | 35 | 49 | 48 | 24~56 | 0.15 | 0.59 |
| ODB600PT-48MB | 2500 | 25 | 42 | 48 | 28~56 | 0.12 | 0.47 |