

FEATURES

- Primary voltage rating of 115 – 400V ac
- Secondary voltage rating of 12V ac or 24V ac
- Power rating of 72VA – short term 100VA
- Mounted by DIN Rail
- Fused input & output
- Encapsulated in resin
- Operating frequency of 50/60Hz
- Maximum temperature of 130°C
- For ta 40°C
- Protection class IP64

RS PRO AC/AC Isolation Transformers with DIN Clip



RS Professionally Approved Products bring to you professional quality parts across all product categories. Our product range has been tested by engineers and provides a comparable quality to the leading brands without paying a premium price.

Product Description

Series of potted 1-phase EI transformers with screw connectors and 35 mm DIN rail (TS35) mount designed according to the following specifications.

- High quality safety isolating transformers for use in general applications
- Encapsulated in resin
- Detailed product specification on permanent label
- High efficiency, low regulation design
- 100% electrical and flash tested
- Fused input and output
- Galvanic separation
- For permanent fixation at DIN rail

General Specifications

Number of Outputs	1
Output Protection Type	Against short circuit and overload
Applications	Automotive engines, household applications, industrial machinery, medical equipment, telecommunications equipment, smart home

Mechanical Specifications

Mounting Type	DIN Rail Mount
Length	89.5mm
Width	82.5mm
Depth	82mm
Weight	1.3kg

Electrical Specifications

Power Rating	72VA – short term 100VA
Primary Voltage Rating	115 - 400V ac
Secondary Voltage Rating	24V ac
Isolation	4kV RMS
Temperature Class	B (130°C)

Input Data	
Rated Input Voltage	115, 230 or 400V ac
Switch-On Time	100%
Minimum Operating Frequency	50Hz
Maximum Operating Frequency	60Hz

Output Data	
Rated Output Voltage	12V or 24V ac
Rated Power	72VA – short term 100VA

Protection Category

IP Rating	IP64
-----------	------

Approvals

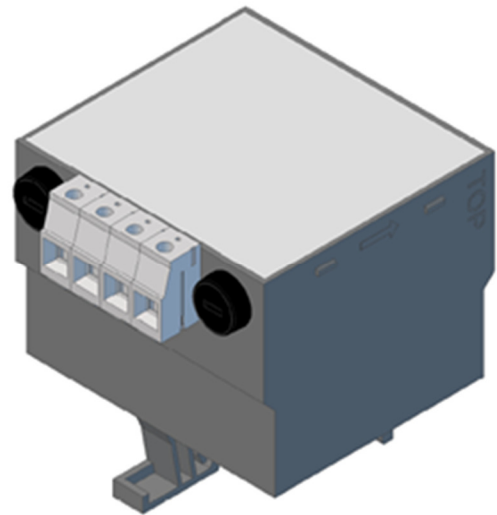
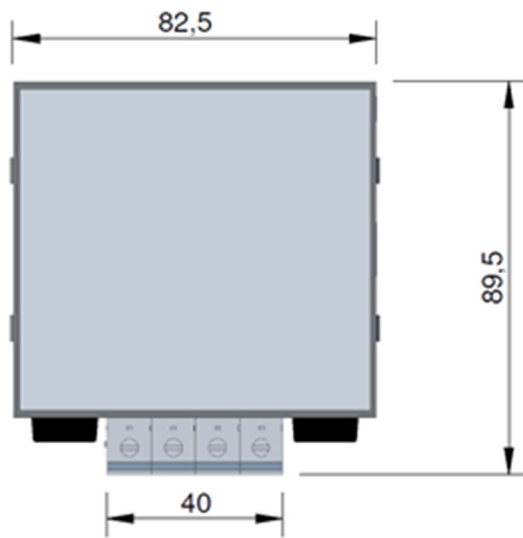
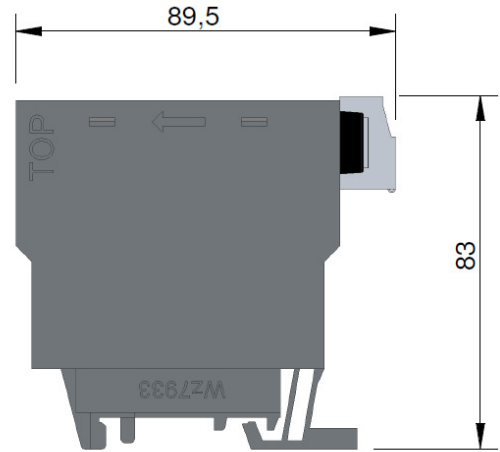
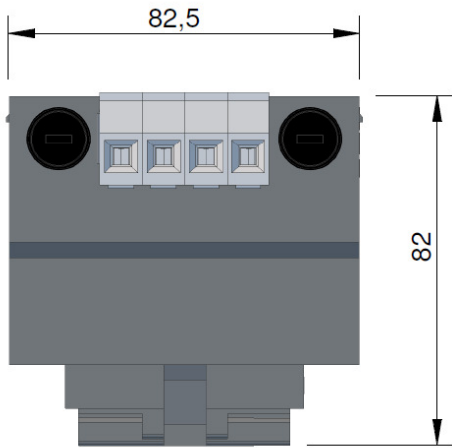
Declarations	MFR Declaration of Conformity
Compliance/Certifications	RoHS, CE
Standards Met	IEC/BS/EN 61558-1 AS/NZS 61558.1 IEC/BS/EN 61558-2-6 AS/NZS 61558.2.6

Order Details

RS Stock number	Power VA	Specification	No-load	According to
7975945	72	AC/AC Isolation Transformer, 230V / 12V/6A	13.4	IEC61558-2-6
7975948	72	AC/AC Isolation Transformer, 115V / 24V/3A	26.5	IEC61558-2-6
7975942	72	AC/AC Isolation Transformer, 230V / 24V/3A	26.5	IEC61558-2-6
7975936	72	AC/AC Isolation Transformer, 400V / 24V/3A	26.5	IEC61558-2-6

Mechanical Drawings

Dimensions (mm):



***Note: The DIN plastic clip is not designed for multiple clip-on and clip-off purposes.**