



Product Datasheet

ENGLISH

Bare Direct Drive Reel for 53m x 19mm Hose



Bare Direct Drive Reel for 53m x 19mm Hose

Heavy duty manual or motor rewind hose reel with a one piece A frame welded base. A open slot design drum and low profile outlet riser ensure smooth non kinking motion.



Specification

| TYPE | |
|----------------|----------------------------------------|
| Manual & Motor | Hand Crank: Electric, Air or Hydraulic |

| HOSE | |
|------------------------|------------|
| I.D. (Inside Diameter) | 19mm |
| Length(m) | 53 |
| Pressure(BAR) | 210 |
| No. of Hoses | 1 - Single |
| Supplied with Hose | No |

| APPLICATIONS | |
|------------------|-------------------|
| Media | Air, Water or Oil |
| Construction | Steel |
| Max Working Temp | 99°C |
| Weight | 23 kg |

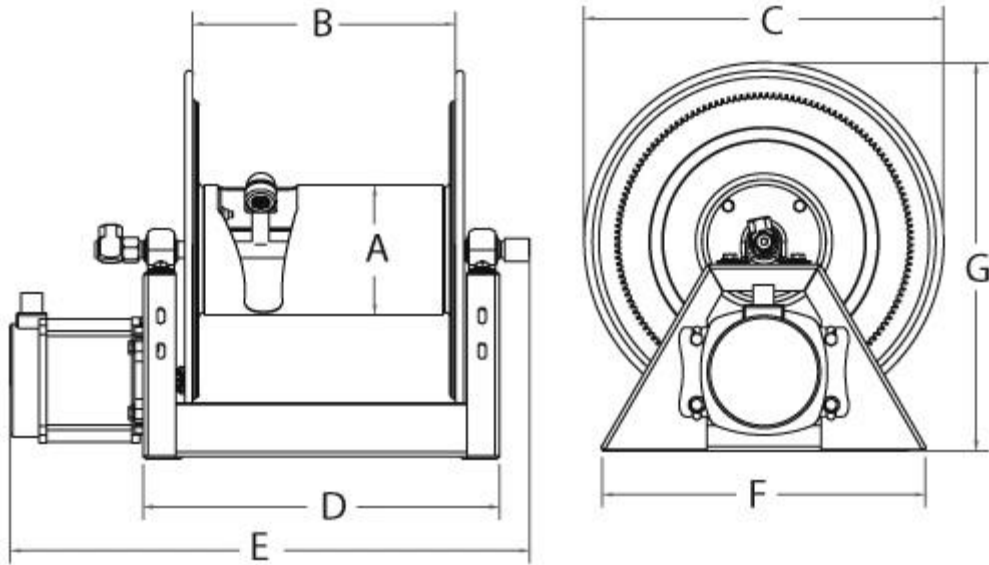
| SWIVEL | |
|----------|---------|
| Material | Brass |
| Seals | Nitrile |

| CONNECTION | |
|------------|------|
| Inlet | 3/4" |
| Outlet | 3/4" |



Dimensions

ENGLISH



| A | B | C | D | E | F | G |
|-----|-----|-----|-----|----------------------------------|-----|----------------------------------|
| 159 | 457 | 445 | 594 | Crank:845 Elec:770 Air:728 | 385 | Crank:460 Elec:476 Air:476 |

All dimensions are in mm