

FEATURES

- Superior shelf life with minimal discharge
- Nominal voltage of 3V
- High safety and reliability
- Memory back-up

RS PRO Lithium Manganese Dioxide 3V Camera Battery

RS Stock No.: 801-0715



RS Professionally Approved Products bring to you professional quality parts across all product categories. Our product range has been tested by engineers and provides a comparable quality to the leading brands without paying a premium price.

Product Description

From the trusted brand RS PRO, comes a range of high quality and efficient lithium batteries. Manufactured to high standards, these lightweight batteries are an ideal solution for a variety of applications.

General Specifications

Brand Range	RS PRO
Application	Cameras, Memory back-up, Personal computers, Torches

Electrical Specifications

Size	CR2
Chemistry	Lithium Manganese Dioxide
Nominal Voltage	3V
Capacity	1Ah
Standard Discharge Current	20mA

Mechanical Specifications

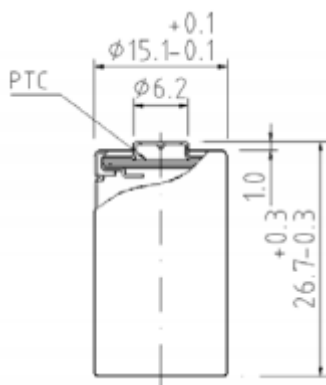
Dimensions	15.6mm x 27mm
Weight	10.2g

Operation Environment Specifications

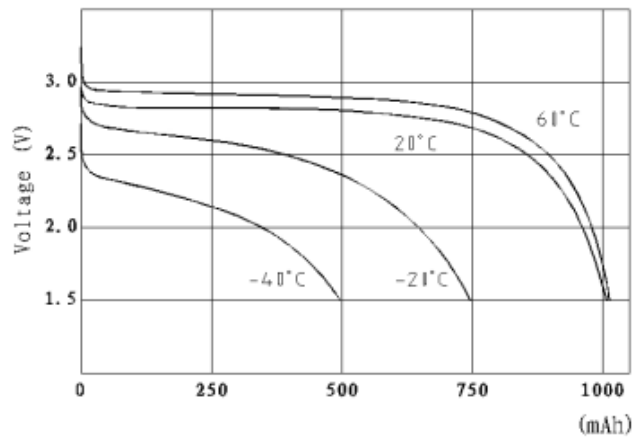
Operating Temperature	-40°C to 60°C
------------------------------	---------------

Approvals

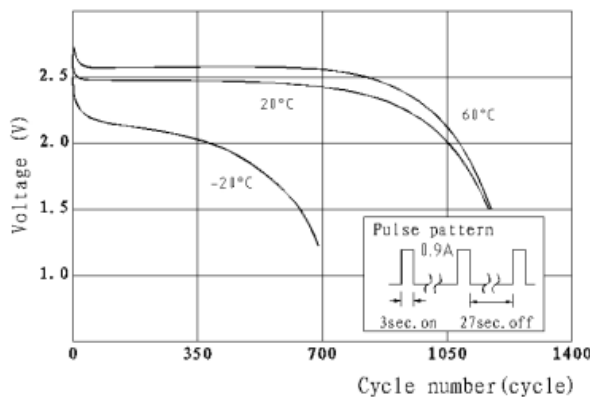
Compliance/Certifications	2011/65/EU and 2015/863
----------------------------------	-------------------------



Temperature characteristics(20mA)



Pulse discharge characteristics



Typical discharge characteristics

