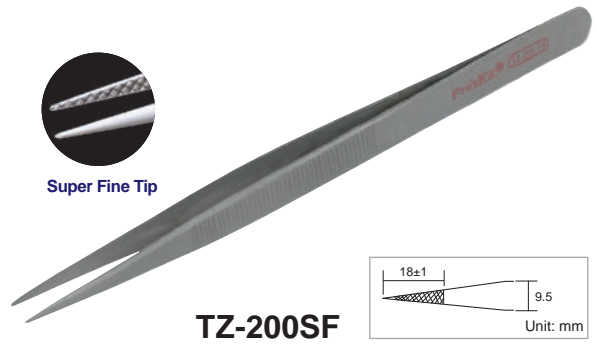
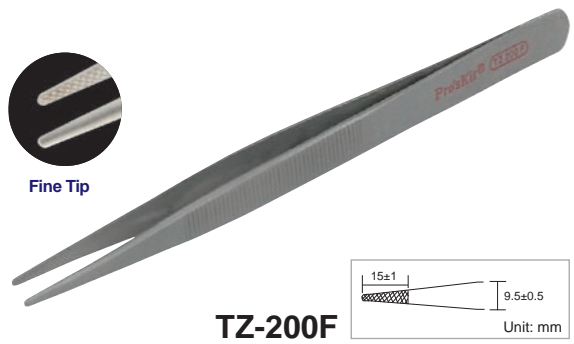


TZ-200F / TZ-200SF Titanium Tweezer



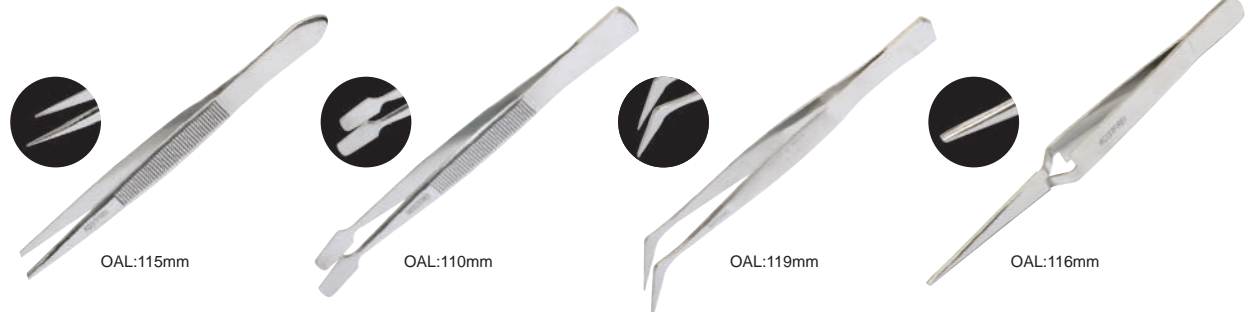
Suitable for lab and clean-room purpose



- Hardened construction permits no twisting of the body under high tension
- Extreme performance light weight for reducing hand fatigue
- Non-magnetic, non-corrosion, rusting, perfect for handling of sensitive components in cleaning/chemical processes at high temperatures, histology, biology, forensics, electron microscopy etc.

Model No.	Material	Magnetic	OAL. (mm)	Individual packing
TZ-200F	Titanium	Non	165	Blister card
TZ-200SF				

808-389 4 PCS Tweezer Set



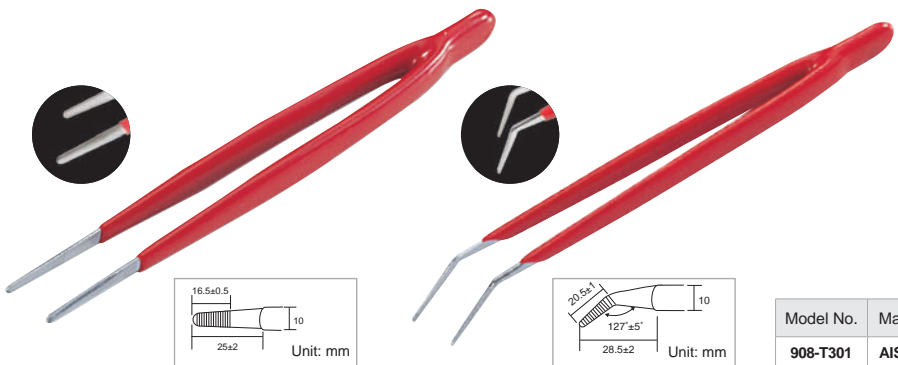
4 different style stainless steel tweezers for every need. Includes one self-locking; ideal for picking up small components in hard to reach places, as well as component assembly one pc prototype boards.

Model No.	Material	Magnetize-able	OAL(mm)	Individual packing
808-389	AISI 430	Yes	110-120	Pouch

908-T301 2 PCS Tweezer Set



2 pcs economic type tweezer with insulated coating handle.



Model No.	Material	Magnetize-able	OAL(mm)	Individual packing
908-T301	AISI 430	Yes	145	Blister card