

Data sheet Pushbutton, illuminated pushbutton, Ø 22 mm, stainless steel 316L, cable 200 mm, 180°.

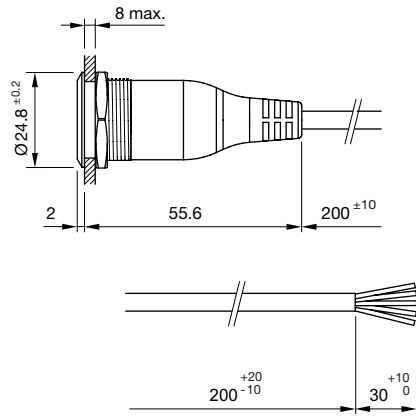
Part No.: 82-6655.2124

Technical data

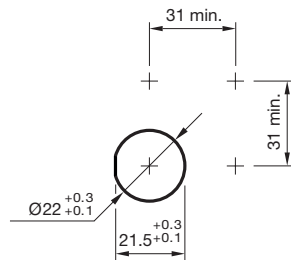


Front form	round
Mounting cut-out	Ø 22 mm
Terminal	Cable 200 mm, 180°
Shape of illumination	Ring (Tritan)
Operating voltage	24 V DC (LED)
Operating Travel	ca. 3 mm
Lens illumination	illuminative
Lens colour	Silver
Lens shape	flush
Lens material	Stainless steel 316L
Lens optics	opaque
Front bezel shape	flush
Front bezel material	Stainless steel 316L
Weight	0.043 kg
IP front protection	IP65, IP67
Illumination colour	Blue
Kind of illumination	Single-LED
Switching action	Maintained
Switching system	Snap-action switching element
Switching rating	35 V AC/DC @ 0,6 A
Operating temperature	- 30 °C ... + 70 °C
Operating force	4 N ... 7 N
Climate resistance	Damp heat, 21 days according to IEC 60512-11
Mechanical lifetime	500 000 cycles of operation
Tightening torque	Fixing nut 0.5 Nm min. ... 1.2 Nm max.
Hints	
	<ul style="list-style-type: none"> ▪ Cable with certification ECE-R118

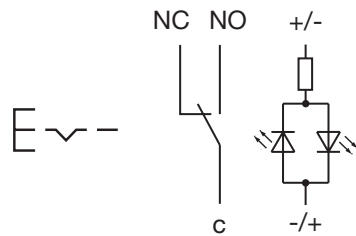
Dimension drawings



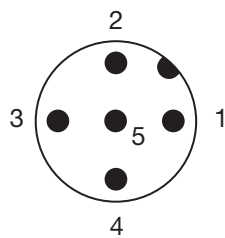
Mounting cut-outs



Wiring diagrams



Component layouts



- 1 = Shield
- 2 = Red (AWG22)
- 3 = Black (AWG22)
- 4 = White (AWG24)
- 5 = Blue (AWG24)